

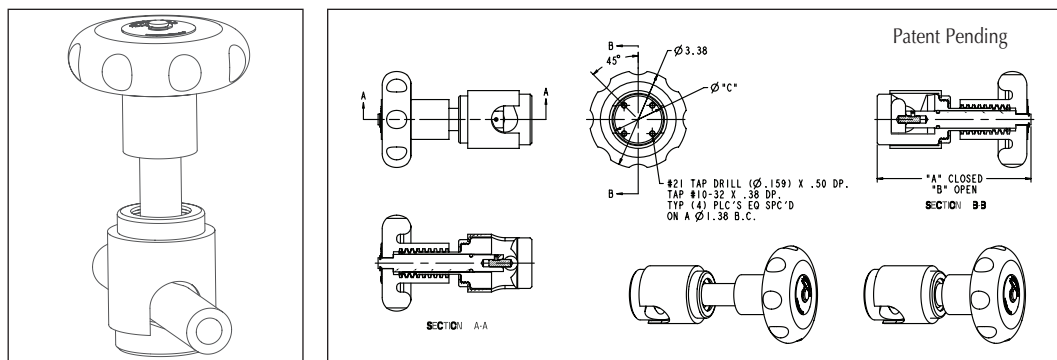
Igenix® Pinch Valves

for Imperial and Metric tube sizes

PBM Pinch Valves shut off media flow by exerting a clamping force on your existing flexible braided hose and clear tubing.

Features:

- PBM's unique design offers true "Fail Closed" without air-assist for flexible tubing sizes up to and including 1", 25.4 mm ID.
- Fits over existing tubing without the need for process breaks.
- Has absolutely no contact with any process media, thus will never introduce contaminants.
- For automated version, designed to function with actuator pressure as low as 60 PSIG, 4.1 barg with a variety of optional limit switches.
- Can be fitted with limit switches and/or position sensors for your monitoring/flow control needs.
- Modular safety cover shields the pinch area when the valve is in service. It can be opened to load/unload the valve without the need for process breaks or complete removal from the valve body.
- Tested and proven to provide absolute shutoff on tubing. Independent test report available on flexible braided hose and clear tubing on request.



Manual Pinch Valve Dimensions and Weights

| | Tube ID | Dimension | | | Approx. Weight | |
|--------|---------------|-----------|-------|------|----------------|-----|
| | | A | B | C | lb | kg |
| inches | ≤ 1/2" | 5.32 | 6.32 | 1.75 | 2 | 0.9 |
| mm | ≤ 12.7 | 135.1 | 160.5 | 44.5 | | |
| inches | > 1/2" ≤ 1" | 6.32 | 7.83 | 2.25 | 3 | 1.3 |
| mm | > 12.7 ≤ 25.4 | 160.5 | 199.0 | 57.2 | | |

Pinch Valve Applications:

Automated Valves:

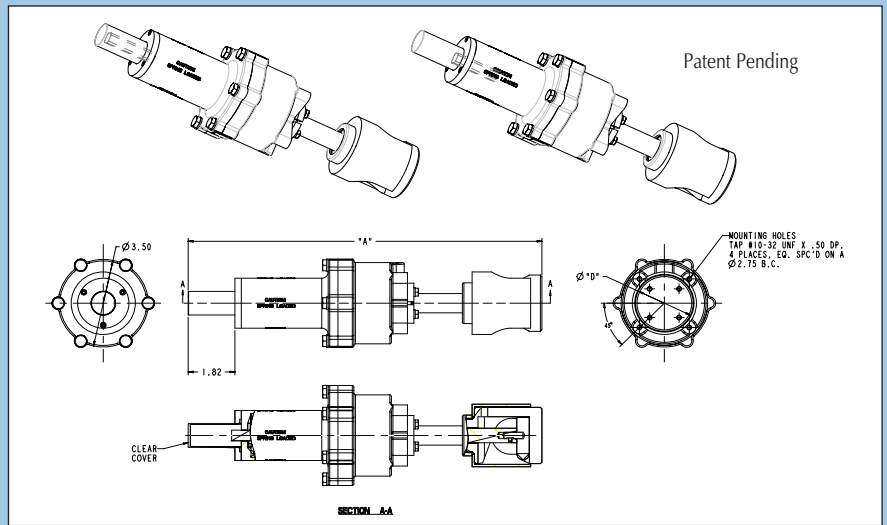
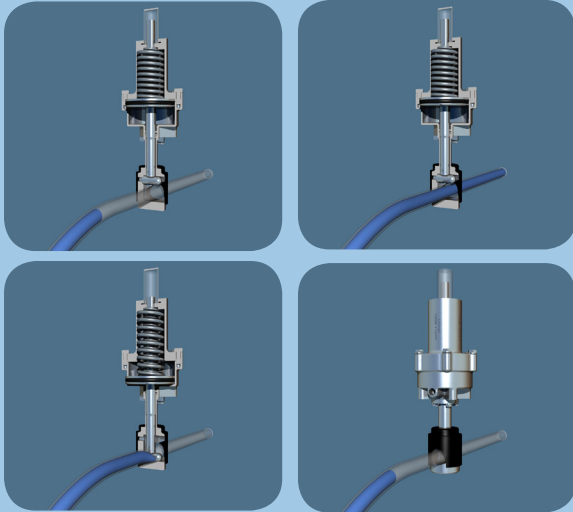
- On/Off valves on automated UF and Chromatography skids
- Valves with positioners for flow and pressure control on automated UF and Chromatography skids

Manual Valves

- Shut off valves on Bag totes
- Manual flow control on bench top UF systems

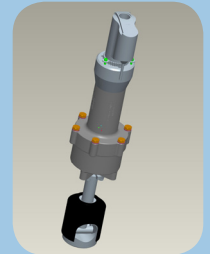
PBM Automated Pinch Valves

- Visual Indicator standard
- Optional Limit Switch
- Complete shut off for all sizes
- Modular Safety Cover



Automated Pinch Valve Dimensions and Weights

| | Tube ID | Dim. | Approx. Weight | |
|-----|---------------|-------|----------------|-----|
| | | A | lb | kg |
| in. | ≤ 1/2" | 11.80 | 7 | 3.2 |
| mm | ≤ 12.7 | 299.7 | | |
| in. | > 1/2" ≤ 1" | 13.78 | 8.5 | 3.8 |
| mm | > 12.7 ≤ 25.4 | 350.0 | | |



Pinch valve nomenclature

| Model | Material | Body Size (Hose ID) | Series | Operator | Exterior finish | Safety Cover Port (hose OD) |
|-------------------|------------------------|---|--------|--|--|---|
| PV Pinch Valve | HL (316L stainless) | C = 0.062 to .50 tubing E = 0.625 to 1.0 tubing Flexible or braided hose Inside diameter | 1 | MV = Manual A- = Automated stainless actuator, spring return (60-200 psig supply air / gas) AO = AV with manual override AS = AV with proximity switch to indicate open / close | - = machine finish (50 Ra max) (standard finish) C = 32 Ra* L = 32 Ra + electropolish hardware is not polished | 00 Blank Safety Cover 02 For 0.272" OD hose 03 For 0.355" OD hose 04 For 0.447" OD hose 05 For 0.500" OD hose 06 For 0.625" OD hose 08 For 0.875" OD hose 10 For 1.000" OD hose 11 For 1.125" OD hose 12 For 1.250" OD hose 13 For 1.375" OD hose |

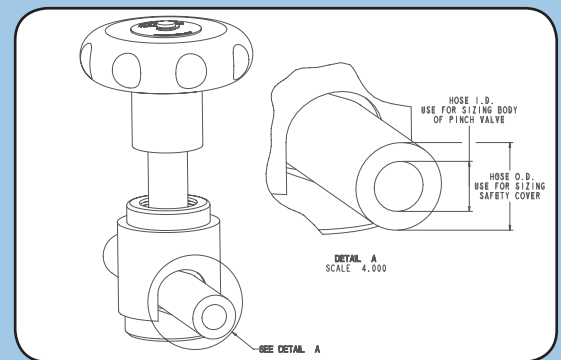
For valves with additional options, a unique PBM drawing number may be assigned. Example -----QXXX, where XXX is a sequential drawing number.

*All polishing compounds are free from animal derived compounds or oils.

Participating member of the
ASME Bioprocessing Equipment
(BPE) Standards Committee



Scan the QR code to see a hands
on video of PBM's manual pinch
valve and written specification.



PBM WORLDWIDE REPRESENTATION

- United States • Canada • Australia • Mexico • Brazil • Argentina • Chile • UAE • United Kingdom
- Poland • Germany • Sweden • Spain • Belgium • France • Ireland • Switzerland • Austria • The Netherlands
- South Africa • India • Taiwan • China • Thailand • Singapore • Saudi Arabia • Malaysia • South Korea • Vietnam



www.PBMValve.com

PBM, Inc. • 1070 Sandy Hill Road, Irwin, PA 15642
Phone: 800.967.4PBM • 724.863.0550 • Fax: 724.864.9255
E-mail: info@pbmvalve.com

