

PAVCL Actuator Sizes 0052 thru 0200 Operation and Maintenance Instructions



WARNING:

For your safety and protection it is important that the following precautions be taken prior to working on the actuator.

1. Remove from the actuator all dust that may cause sparks; clean periodically to prevent dusting on the actuator. Do not hit the actuators with metallic objects, as they may give off sparks.
2. The installation and the maintenance of pneumatic actuators must be assigned to trained and qualified personnel.
3. The use of the actuators out of the allowed temperature and pressure ranges may cause damage to the internal and external components.
4. Prior to any installation and maintenance of the actuator, close and disconnect any kind of power or air supply.
5. Disassembling the spring return type actuators (springs inside) may cause severe injuries. The maintenance must be assigned to qualified expert personnel in full observance of the instruction described at paragraph 5, otherwise, the actuator has to be returned to PBM.

TABLE OF CONTENTS:

1. SERVICE CONDITIONS
2. FUNCTION
3. STORAGE
4. MAINTENANCE
5. EXPLODED VIEW
6. DISASSEMBLING
7. ASSEMBLING
8. ADJUSTMENT
9. INSTRUCTIONS FOR CHANGING FAIL CLOCKWISE OR FAIL COUNTERCLOCKWISE OPERATION
10. TORQUE RATINGS, WEIGHTS AND OPERATION VOLUMES

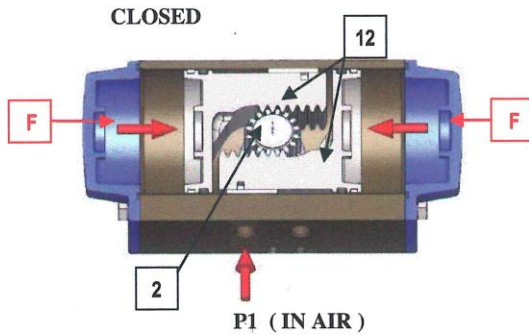
1 Service conditions

- **AIR SUPPLY:** dehumidified or lubricated air (standard). Other non-corrosive gases or fluids are a possible alternative option, if compatible to the materials of the actuator components (internal parts and lubricant). The maximum particle size must not exceed 40µm (ISO 8573 Part 1, Class 5). In order to prevent water condensation and/or solidification (ice, when actuator work below 0°C), the operating medium must have a dew point equal to 20°C or, at least 10°C below the ambient temperature (ISO 8573 Part 1, Class 3).
 - **WORKING PRESSURE:** minimum 29 PSI (2.5 BAR) – maximum 116 PSI (8 BAR)
 - **TEMPERATURE:**
 - minimum -20°C to maximum + 85°C - standard execution – NBR gaskets
 - minimum -20°C to maximum + 150°C - HIGH temperature execution – FKM (Viton) gaskets
 - minimum -40°C to maximum + 85°C - LOW temperature execution – silicone gaskets
 - Warning: in case of high or low temperature executions, a special grease is used as lubricant and such conditions may alter the torque generated by the actuator. For further information please refer to PBM.
 - **ROTATION:** half turn, 0° – 90° adjustable ±5° in both end positions (double adjustment).
 - **LUBRICATION:** The actuators are equipped with filled-for-life lubrication for normal service conditions.
 - **OPERATING TIME:** Please refer to the technical documentation. The operating time depends on various parameters such as air supply pressure, capacity of the air supply installation (size of piping, control equipment), type of valve and fluid, selected safety factor, temperature, etc.).

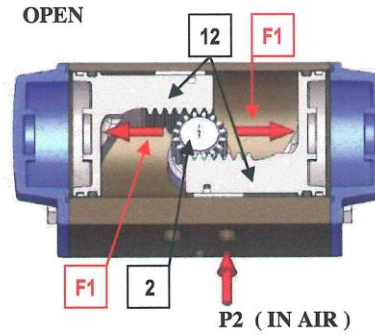
2 Function

The air pressure acts on the surface of the pistons (12) causing their alternate movement, which is converted into rotation (standard 90°) of the pinion (2) as a result, the pneumatic actuators can be used for remote operation of valves.

2.1 Double Acting

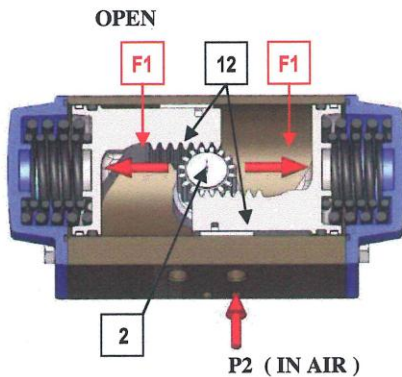


Supplying air through port **P1**, the external chambers fill up and the pressure on the surface of the pistons (12) creates a force (**F**) pushing them close to the pinion, generating a torque with **CLOCKWISE** rotation. (top view)

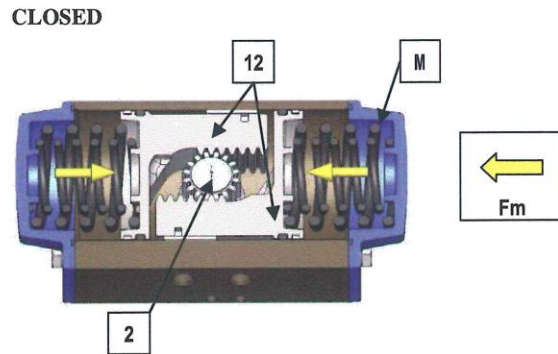


When the pistons (12) are close to the pinion, supplying air through port **P2** the internal chamber fills up and the pressure on the surface of the pistons creates a force (**F1**) pushing them away from each other, generating a torque with **COUNTERCLOCKWISE** rotation (top view).

2.2 Spring return



Supplying air through port **P2**, the internal chamber fills up and the action of the pressure on the surface of the pistons (12) creates a force (**F1**) pushing them away from each other, generating a torque with **COUNTERCLOCKWISE** rotation. (top view)



The springs (**M**) are now compressed. Terminating the supply of air through port **P2** the springs (**M**) start extending and apply a force (**Fm**) pushing the pistons (12) close to the pinion, generating a torque with **CLOCKWISE** rotation. (top view).

3 Storage

It is recommended that the actuator be kept in clean and dry place. The state of preservation during the storage time is improved if the actuator is preserved in the original packing box.

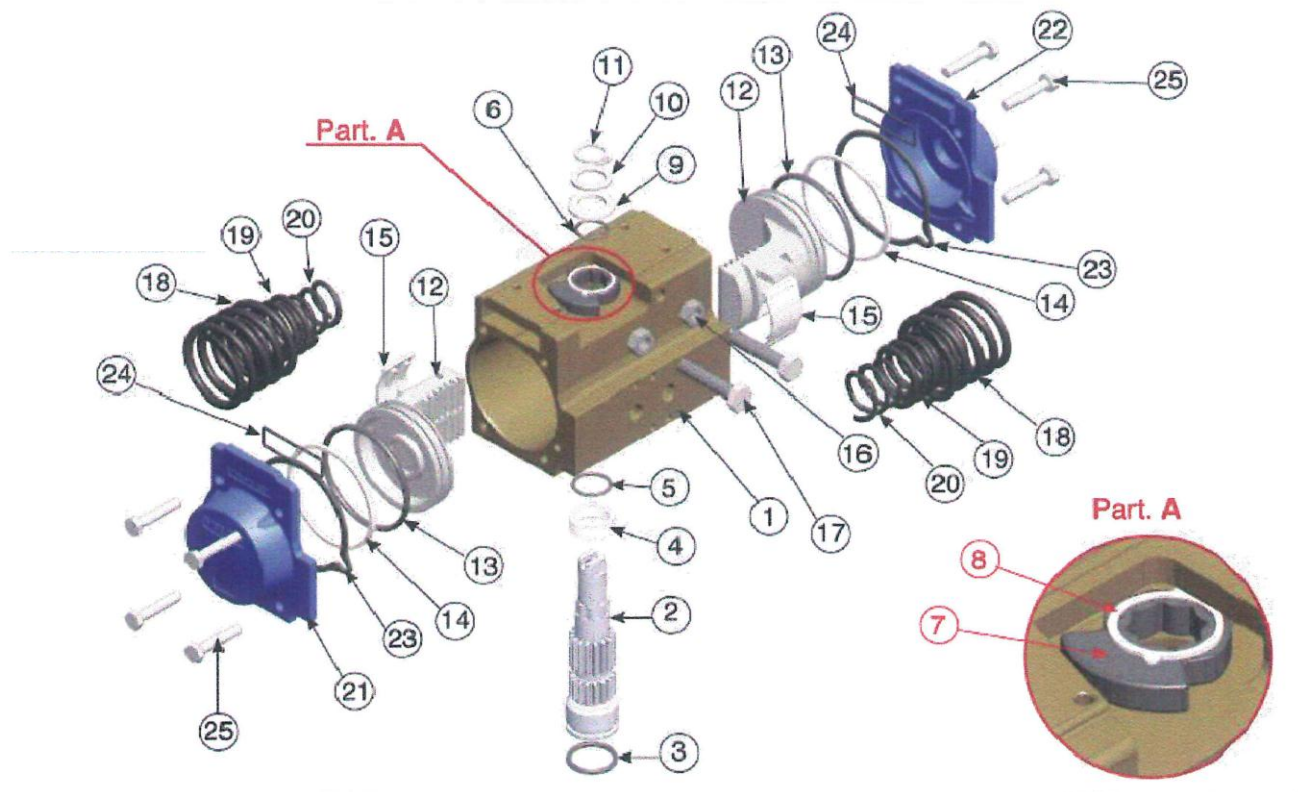
For a **long storage period** we recommend to effect periodically one complete cycling by pressurizing the chambers.

The actuators have two air ports which should be plugged during storage to avoid any intrusion

4 Maintenance

The maintenance of the actuator is permitted to Valbia personnel or to properly trained personnel. Valbia supplies the spare parts (gaskets, guide elements) in appropriate kits (except for lubricating grease). The maintenance may become necessary between 500.000 and 1.000.000 cycles, according to the local service conditions.

5 Exploded View




POS.	Description	Material	DA	SR
1	Body	Extruded Aluminum	1	1
2	Anti-blowout pinion	Steel	1	1
*3	O-ring	NBR	1	1
*4	Spacer Ring	POM	1	1
*5	O-ring	NBR	1	1
*6	O-ring	NBR	1	1
7	Cam	Stainless Steel	1	1
8	Spacer	POM	1	1
*9	Spacer	POM	1	1
10	Washer	Stainless Steel	1	1
**11	Snap Ring	Steel	1	1
12	Piston	Die Cast Aluminum	2	2
*13	O-ring	NBR	2	2
*14	Anti-friction Ring	POM	2	2
*15	Thrust Block	POM	2 [4]	2 [4]
16	Stop Bolt Retaining Nut	Stainless Steel	2	2
17	Stop Bolt	Stainless Steel	2	2
18	External Spring	Steel	2	
***19	Central Spring	Steel	2	
20	Internal Spring	Steel	2	
21	Left End Cap	Die Cast Aluminum	1	1
22	Right End Cap	Die Cast Aluminum	1	1
23	End Cap Seats	NBR	2	2
24	O-ring	NBR	2	2
25	End Cap Fixing Screw	Stainless Steel	8	8

* Part subject to wear


** Reinforced series DIN471 – UNI 7436

*** Mod. 160-200

Valid from Mod. 0052 to 0140 Spring Setting			
SET	External Spring	Internal Spring	
01	1	1	
02	2		
03	1	2	
04	2	1	
05	2	2	



Valid from Mod. 0160 to 0200 Spring Setting			
SET	External Spring	Central Spring	Internal Spring
01		2	
02	2		
03	1	2	
04	2		2
05	2	2	
06	2	2	2

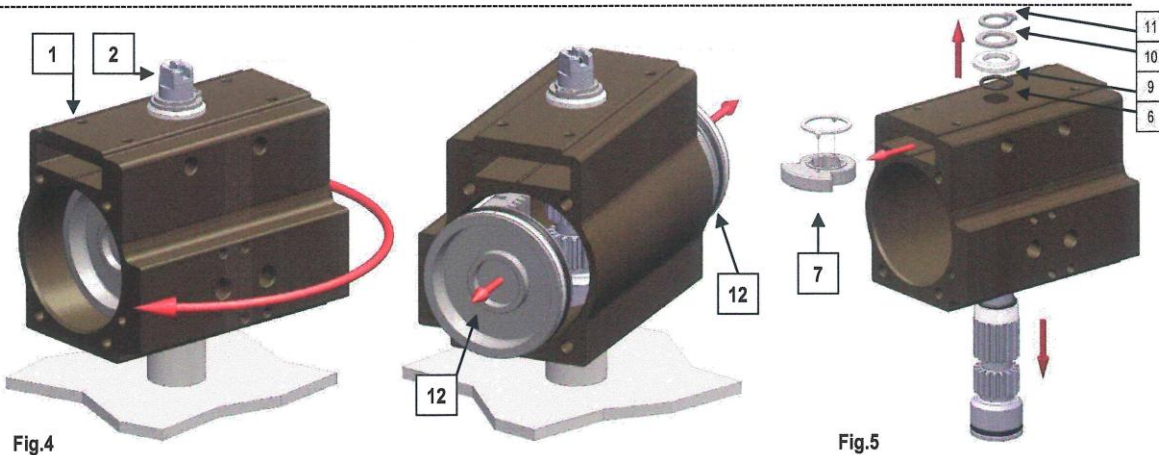
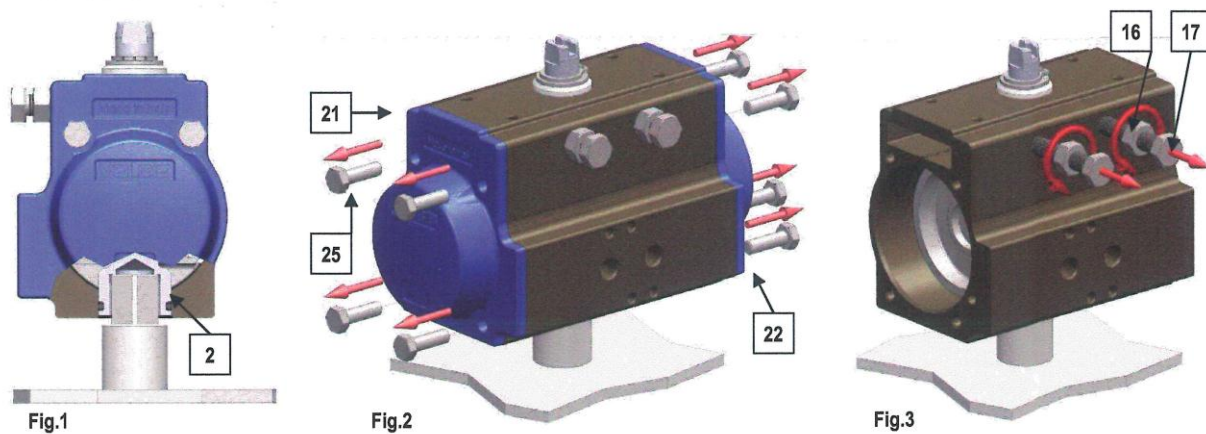


6 Disassembling

6.1 Disassembling mod. 0052 to mod. 0200

CAUTION : It is recommended to use suitable safety equipment during the handling for maintenance because of heavy and/or bulky parts.

1. Disconnect pneumatic and electric supplies from the actuator;
 2. After having disconnected their power supply, remove carefully any accessory attached to the actuator, preventing any damage during the handling;
 3. Detach the actuator from the valve taking careful note of all references that may be helpful for the attachment after maintenance.
 4. Place the actuator on a support with a square of the same size of the pinion (2) so as to easily execute the below listed operation (see Fig. 1):
 5. Before disassembling the actuator check from the label on the body whether it is a double acting (DA) or spring return (SR) type;
 6. For DOUBLE ACTING ACTUATOR: Unscrew in crossed sequence the screws (25) for fastening the end caps (21-22) see Fig. 2
 7. For SPRING RETURN ACTUATOR: Unscrew GRADUALLY in crossed sequence the screws (25) for fastening the end caps (21-22), Fig. 2; Note: the screws are long enough to hold the springs even if extended; Loosen nuts (16) and unscrew completely screws (17) see Fig. 3 ;
 8. Rotate the cylinder (1) in CLOCKWISE direction (top view) holding the pinion (2) so as to release the rack of the pistons (12) from the pinion (2) and to push the pistons towards to the cylinder ends. Now both pistons (12) can be removed see Fig. 4.
- NOTE: Do not use compressed air to remove the pistons (12) from the cylinder (1)
9. Remove the snap ring (11) from the pinion (2), the washer (10), the spacer (9) and the O-ring (6) see Fig. 5 ;
 10. Extract the pinion (2) from the cylinder (1) by pushing it down, with special caution for all seating's, see Fig. 5 (if necessary use a rubber hammer);
 11. Tilt the cylinder (1) and let the cam (7) slide out, see Fig. 5.

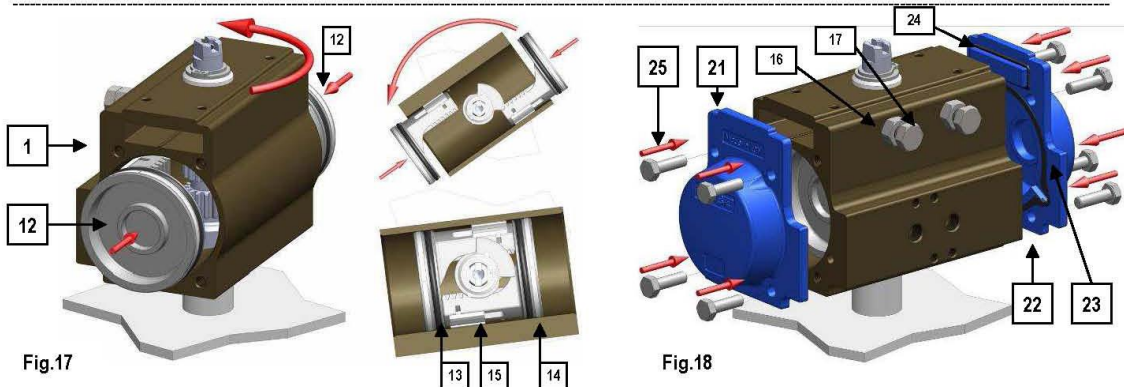
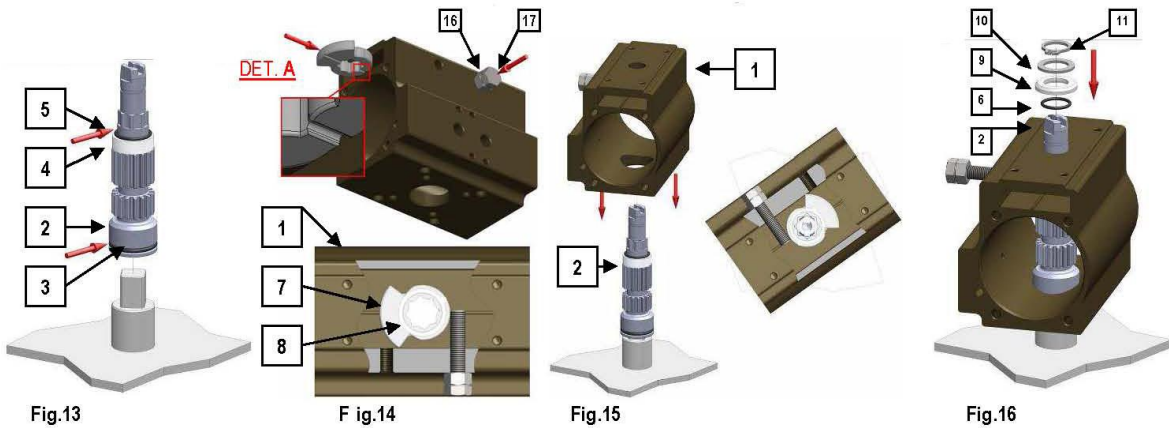


7 Assembling

7.1 Assembling mod. 0052 to mod. 0200

CAUTION: It is recommended to use suitable safety equipment during the handling for maintenance because of heavy and/or bulky parts.

1. Before assembling clean all components preferably with degreaser.
 2. Place the pinion (2) on a support with a square of the same size of the female attachment. Make sure that the pinion is provided with lower O-ring (3), spacer (4) and upper O-ring (5). Lubricate the O-rings (see arrows fig. 13). The recommended lubricating grease is "KLUBER" TRIBO STAR 1EP"
 3. Screw down one adjustment screw (17) with nut (16) in the right adjustment hole of the cylinder (1) and let the cam (7) with ring (8) slide down on the guiding rail on the cylinder (1) (see detail. A Fig.14) until it stops against the screw;
 4. Lay the cylinder (1) down on the pinion (2) holding it with the NAMUR surface rotated by approx. 50° to the upper slot of the pinion, see fig. 15 ;
 5. Fit on the pinion (2) the O-ring (6), the spacer (9), the washer (10), the snap ring (11), see Fig. 16 ;
 6. Grease the internal chamber of the cylinder (1) and both pistons (12) provided with O-ring (13) antifriction ring (14) and thrust block (15) The recommended lubricating grease is "KLUBER" TRIBO STAR 1EP".
 7. For the standard execution (clockwise rotation opens) press the pistons (12) into the cylinder (1) while turning the cylinder (1) in counterclockwise direction (top view) until the pistons come into contact, see fig. 17 ;
 8. Screw down the second adjustment screw (17) with nut (16) in the cylinder (1) and adjust the travel stop, paragraph 8;
 9. For DOUBLE ACTING ACTUATOR: Mount the end cap (21-22) with O-ring (24) and gasket (23) on the cylinder and screw down in crossed sequence the screws (25), see fig. 18. Repeat the operation on the opposite side.
- For SPRING RETURN ACTUATOR: Introduce the spring set (18-19-20) into the cylinder (1) and center them on the piston (12), then mount the caps (21-22) with O-ring (24) and gaskets (23) centered on the springs (18-19-20). Note: the pistons have to be in CLOSED position. Screw partially down the screws (25) in crossed sequence compressing the springs uniformly until the cap is completely closed, see fig. 18. Repeat the operation on the opposite side;
10. Execute some test cycles to check the correct functioning of the actuator before installing it.



8 Adjustment

By means of the left screw the 90° end position (open) can be adjusted, see Fig. 27, of the right screw the 0°end position (closed), see Fig. 28.

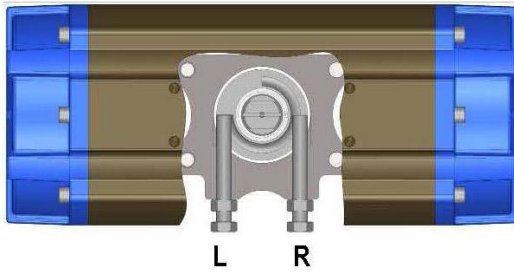
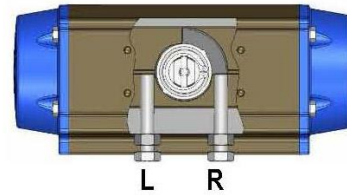
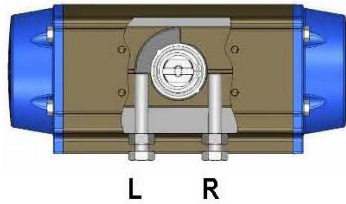


Fig.27

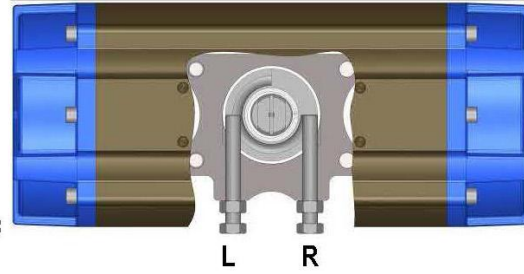


Fig.28

NOTE : During the adjustment the pinion must not be blocked on the support.

8.1 Adjustment procedure, actuator in open position

- Put the actuator in closed position;
- Adjust by means of the left adjustment screw (L);
- Put the actuator in open position and check the adjustment
- Repeat until the desired adjustment is achieved;
- Hold the screw in the correct position and tighten the nut.

8.2 Adjustment procedure, actuator in open position

- Put the actuator in open position (supply compressed air for mod SR);
- Adjust by means of the right adjustment screw (R);;
- Put the actuator in closed position and check the adjustment (interrupt the air supply for mod.SR);
- Repeat until the desired adjustment is achieved;
- Hold the screw in the correct position and tighten the nut.

9. Instructions for Changing Fail Clockwise or Fail Counterclockwise Operation of Pneumatic Actuators

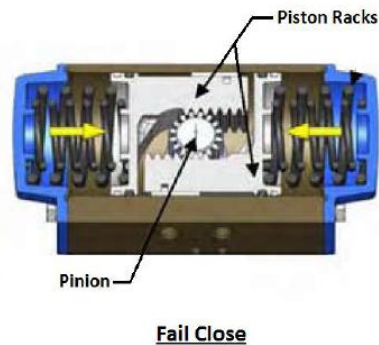
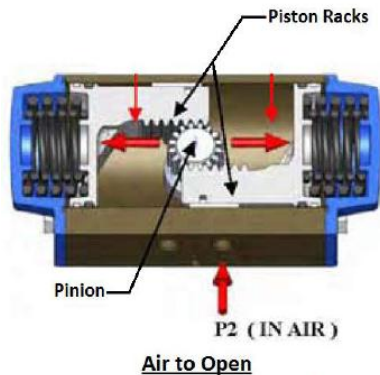
WARNING:

For your safety and protection it is important that the following precautions be taken prior to working on the actuator.

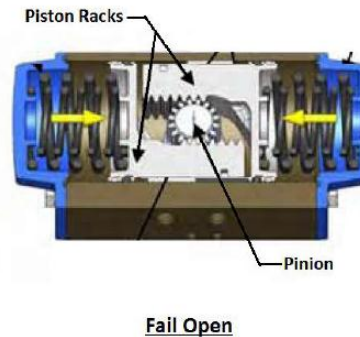
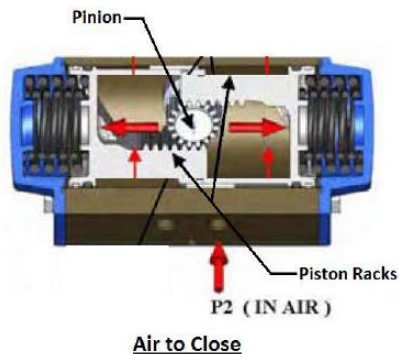
1. Remove from the actuator all dust that may cause sparks; clean periodically to prevent dust on the actuator.
2. The installation and the maintenance of pneumatic actuators must be assigned to trained and qualified personnel.
3. Prior to any installation and maintenance of the actuator, close and disconnect any kind of power or air supply.
4. Disassembling the spring return type actuators (springs inside) may cause severe injuries.

1. Instruction

For normal Fail Close operation, the left side piston/rack is positioned at the back of the housing when facing the air nozzles and the right side piston/rack is positioned on the near side of the housing. This will cause clockwise rotation of the pinion when looking down on the actuator when the springs cause the pinion to rotate and counter-clockwise rotation of the actuator when air causes the pinion to rotate. If it is desired to rotate the pinion counter-clockwise when the springs cause the pinion to rotate, the locations of the two pistons/racks should be reversed.



This is Normal Fail Close Operation – Note the location of the Piston Racks
Right Piston Rack is in Front – Just Behind Air Supply Parts



This is Normal Fail Close Operation – Note the location of the Piston Racks
Right Piston Rack is in Front – Just Behind Air Supply Parts

10 Torque Ratings, Weights and Operation Volumes

SPRING RETURN ACTUATORS

Actuator Model	Spring Set	Spring Torque Output (in-lbs)		Air Pressure at Actuator (psig)			
				60		80	
		Start	End	Start	End	Start	End
PAVCL253S -- 0052	3	66	38	80	47	N/A	N/A
PAVCL453S -- 0052	5	88	60	N/A	N/A	101	55
PAVCL253S -- 0063	3	128	71	149	79	N/A	N/A
PAVCL453S -- 0063	5	196	111	N/A	N/A	193	95
PAVCL253S -- 0075	3	234	125	275	137	N/A	N/A
PAVCL453S -- 0075	5	358	193	N/A	N/A	354	157
PAVCL253S -- 0085	3	307	183	387	211	N/A	N/A
PAVCL453S -- 0085	5	456	273	N/A	N/A	503	257
PAVCL253S -- 0100	3	495	279	628	329	N/A	N/A
PAVCL453S -- 0100	5	733	417	N/A	N/A	802	378
PAVCL253S -- 0115	3	786	442	1,044	541	N/A	N/A
PAVCL453S -- 0115	5	1,176	657	N/A	N/A	1,352	637
PAVCL253S -- 0125	3	969	611	1,351	640	N/A	N/A
PAVCL453S -- 0125	5	1,412	900	N/A	N/A	1,762	789
PAVCL253S -- 0140	3	1,617	853	1,910	856	N/A	N/A
PAVCL453S -- 0140	5	2,251	1,200	N/A	N/A	2,481	1,017
PAVCL253S -- 0160	4	2,443	1,522	2,447	1,350	N/A	N/A
PAVCL453S -- 0160	5	2,860	1,917	N/A	N/A	3,452	2,240
PAVCL253S -- 0200	4	4,040	2,686	4,788	3,080	N/A	N/A
PAVCL453S -- 0200	6	5,900	4,009	N/A	N/A	5,893	3,539

WEIGHTS AND VOLUMES

Actuator Model	Rotate CCW Volume (cu.in.)	Rotate CW Volume (cu.in.)	PAVC series Approx. weight (lbs)
PAVCL453D -- 0052	6.1	7.9	2.3
PAVCL453S -- 0052	6.1	6.7	3.0
PAVCL453D -- 0063	12	14	4.4
PAVCL453S -- 0063	12	11.6	5.3
PAVCL453D -- 0075	22	27	7.7
PAVCL453S -- 0075	22	22	9.1
PAVCL453D -- 0085	31	39	10.4
PAVCL453S -- 0085	31	32	12.9
PAVCL453D -- 0100	48	61	14.7
PAVCL453S -- 0100	48	49	18.8
PAVCL453D -- 0115	79	104	23.7
PAVCL453S -- 0115	79	84	30.7
PAVCL453D -- 0125	99	135	28.9
PAVCL453S -- 0125	99	109	37.7
PAVCL453D -- 0140	138	193	43.7
PAVCL453S -- 0140	138	146	57.6
PAVCL453D -- 0160	220	290	58.3
PAVCL453S -- 0160	220	215	79
PAVCL453D -- 0200	350	600	99.1
PAVCL453S -- 0200	348	463	147

DOUBLE ACTING ACTUATORS

Actuator Model	Air pressure at actuator (psig)	
	60 psig	80 psig
	Constant Torque Output	
PAVCL453D -- 0052	133	179
PAVCL453D -- 0063	238	321
PAVCL453D -- 0075	435	586
PAVCL453D -- 0085	629	851
PAVCL453D -- 0100	991	1,336
PAVCL453D -- 0115	1,640	2,210
PAVCL453D -- 0125	2,157	2,906
PAVCL453D -- 0140	3,013	4,018
PAVCL453D -- 0160	4,394	5,859
PAVCL453D -- 0200	8,239	10,981



PBM, Inc., 1070 Sandy Hill Road, Irwin, PA 15642
 Phone: (724) 863-0550 or (800) 967-4PBM
 Fax: (724) 864-9255

E-mail: info@pbmvalve.com Web: www.pbmvalve.com

© Copyright 2016 PBM, Inc. IOM-ACTUATOR-C 05/16 Printed in USA