



PBM Bolted Instrument Valves

PBM's bolted Instrument valve design allows end connection design and fabrication flexibility. It is available in a wide range of materials for a variety of temperature and pressure classes to meet your most stringent process applications.

FEATURES

- Full and Reduced Port Designs
- Customizable End Connections
- Quarter Turn Operation
- Bleed or Gauge Ports Available
- Bolted Body
- API-607 Fire Rated
- Braided Graphite Packing
- API-622 Low-E Stem Packing Standard
- Gear Operator recommended for 1-1/2" and above.

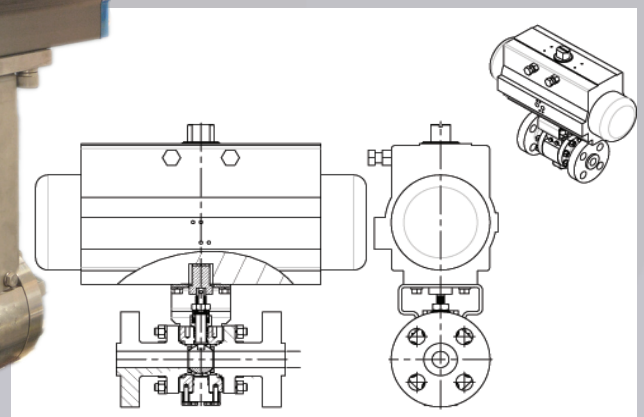
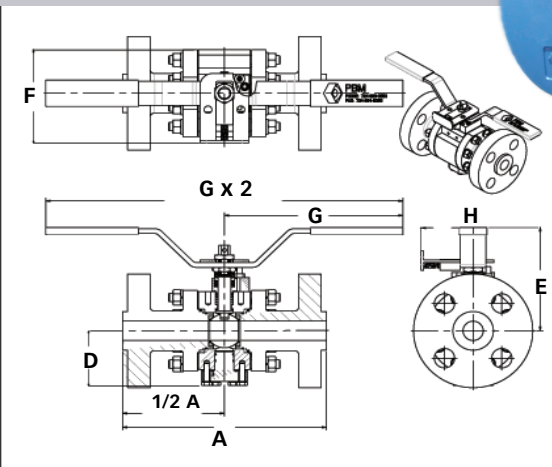
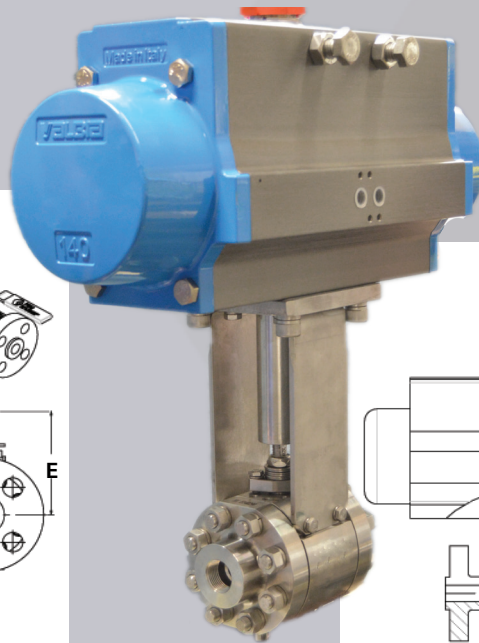
SIZES

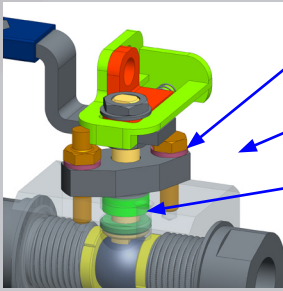
- 1/2" - 2" Class 600#, 900# and 1500#

SEATING

- TFM™ Seats: 350°F (176°C)
- S-TEF® Seats: 450°F (232°C)
- PEEK® Seats: 500°F (260°C)
- Stellite® Ball & Seats: - 800°F (427°C)
- Tungsten or Chrome Carbide Coated S/S Ball & Seats: 800°F (427°C)

Size	Ends	Units	A		D		E		F		G		H	
			Overall Length		C to Bottom of Valve (2-Way)		Distance to Top of Valve		Body Width without Ends		Handle Radius		C to Locking Mechanism	
			600#	1500#	600#	1500#	600#	1500#	600#	1500#	600#	1500#	600#	1500#
1/2" DN 15	Flanged	in (mm)	6.5 (165)	8.5 (216)	1.72 (44)		5.2 (132)		2.4 (61)		3.47 (88)		1.61 (41)	
	Female NPT	in (mm)	6.5 (165)											
	Others	in (mm)	8.5 (216)											
3/4" DN 20	Flanged	in (mm)	7.5 (191)	9 (229)	2.33 (59)		3.96 (101)		3.75 (95)		5 (127)		2.08 (53)	
	Female NPT	in (mm)	6.5 (165)											
	Others	in (mm)	9 (229)											
1" DN 25	Flanged	in (mm)	8.5 (216)	10 (254)	2.92 (74)		5.2 (132)		4.5 (114)		8.81 (224)		2.57 (65)	
	Female NPT	in (mm)	6.5 (165)											
	Others	in (mm)	10 (254)											
1-1/2" DN 40	Flanged	in (mm)	9.5 (241)	12 (305)	2.82 (72)	4.17 (106)	5.76 (146)	7.18 (182)	5.38 (137)	7.5 (191)	11.8 (300)	12 (305)	N/A	
	Female NPT	in (mm)	6.5 (165)	7.5 (191)										
	Others	in (mm)	9 (229)											
2" DN 50	Flanged	in (mm)	8.5 (216)	10 (254)	3.42 (87)	4.82 (122)	6.13 (156)	7.43 (189)	6.25 (159)	8 (203)	11.8 (300)	12 (305)	N/A	
	Female NPT	in (mm)	6.5 (165)											
	Others	in (mm)	10 (254)											





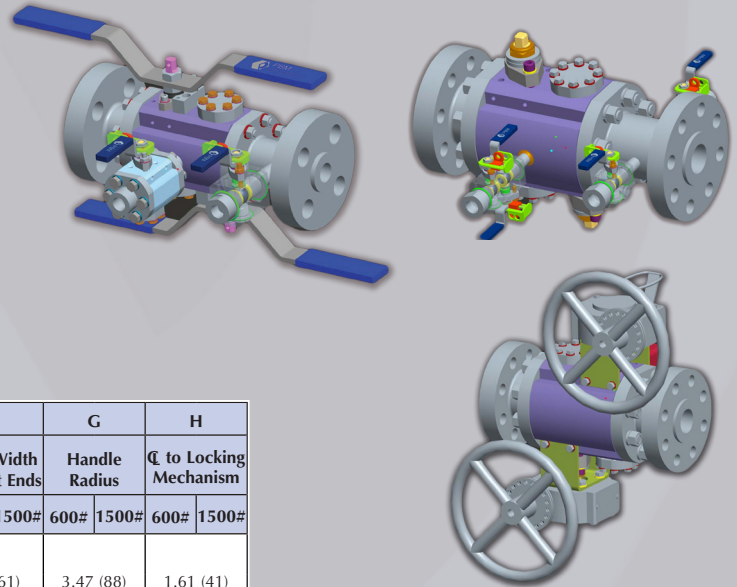
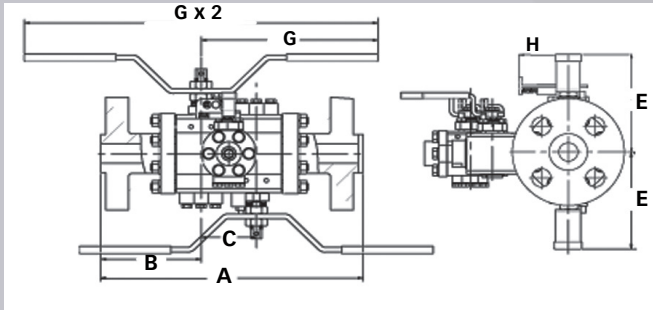
Gland Bolt
Gland Plate
Stem
Packing

PBM valves with Low-E packing offer solutions to emission reduction.
Design features:

- Average stem packing leakage ≤ 10 ppmv for the duration of the test (100 ppm allowable)
- API 607 fire tested

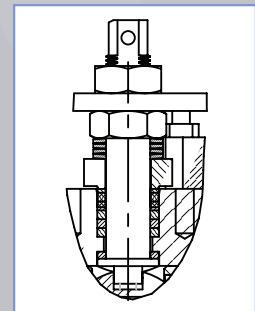


PBM'S BOLTED DOUBLE BLOCK & BLEED VALVES



Size	Ends	Units	A		B		C		E		F		G		H				
			Overall Length		C to End		Ball Separation		Distance to Top of Valve		Body Width without Ends		Handle Radius		C to Locking Mechanism				
			600#	1500#	600#	1500#	600#	1500#	600#	1500#	600#	1500#	600#	1500#	600#	1500#			
1/2" DN 15	Flanged	in (mm)	8.25 (210)	10.25 (260)	3.25 (83)	4.25 (108)	1.75 (44)	5.2 (132)	2.4 (61)	3.47 (88)	1.61 (41)								
	Female NPT	in (mm)	6.5 (165)																
	Others	in (mm)	10.25 (260)		4.25 (108)														
3/4" DN 20	Flanged	in (mm)	9.75 (248)	11.25 (286)	3.75 (95)	4.5 (114)	2.25 (57)	3.96 (101)	3.75 (95)	5 (127)	2.08 (53)								
	Female NPT	in (mm)	6.5 (165)																
	Others	in (mm)	11.25 (286)		4.5 (114)														
1" DN 25	Flanged	in (mm)	11.25 (286)	12.75 (324)	4.25 (108)	5 (127)	2.75 (70)	5.2 (132)	4.5 (114)	8.81 (224)	2.57 (65)								
	Female NPT	in (mm)	6.5 (165)																
	Others	in (mm)	12.75 (324)		5 (127)														
1-1/2" DN 40	Flanged	in (mm)	13.25 (337)	15.75 (400)	4.75 (121)	6 (152)	3.75 (95)	5.76 (146)	7.18 (182)	6 (152)	7.5 (191)	12 (305)							
	Female NPT	in (mm)	10.25 (260)	11.25 (286)	3.25 (83)	3.75 (95)													
	Others	in (mm)	15.75 (400)		6 (152)														
2" DN 50	Flanged	in (mm)	15.25 (387)	18.5 (470)	5.75 (146)	7.25 (184)	3.75 (95)	4 (102)	6.13 (156)	7.43 (189)	6.75 (171)	8 (203)	12 (305)						
	Female NPT	in (mm)	11.75 (298)	14 (356)	4 (102)	5 (127)													
	Others	in (mm)	18.5 (470)		7.25 (184)														

The high temperature valve version consists of carbide coating on the ball and seats.



PBM VALVE SOLUTIONS

PBM, Inc. • 1070 Sandy Hill Road, Irwin, PA 15642
Phone: 800.967.4PBM • 724.863.0550 • Fax: 724.864.9255
pbmvalve.com © Copyright 2016 PBM, Inc. IB Flyer 5/16

