

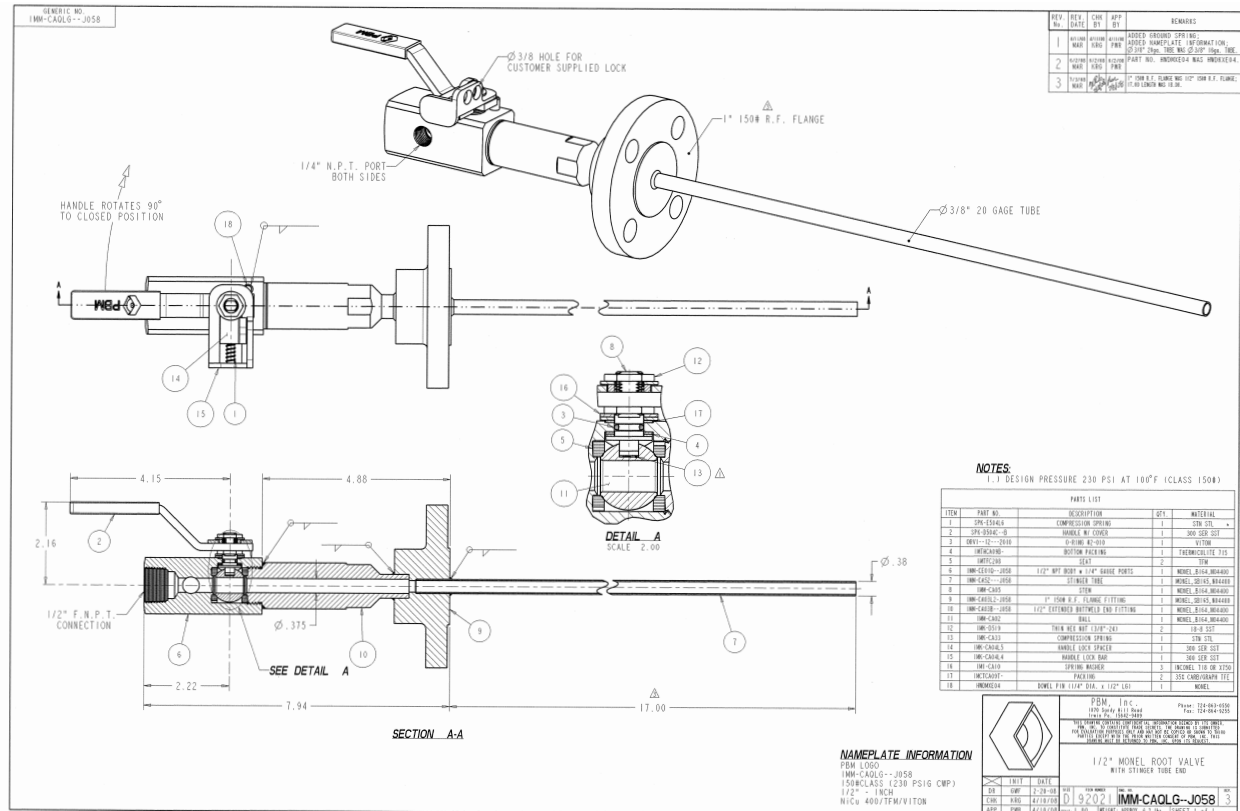


# APPLICATION BRIEF - 39/0908

**INDUSTRY:** CHEMICAL  
**PRODUCT:** SAMPLING ROOT VALVE WITH PROBE  
**MEDIA:** DRY CHLORINE SERVICE

## IMI PBM Solution:

A leading North American manufacturer of polyvinyl chloride (PVC) resins, chlorine and caustic soda was replacing a competitive valve with a PBM monel root valve needed for dry chlorine service at less than 100 psi. The root valve is a sampling valve that isolates the process from the analyzer station. When the root valve is opened, the dry chlorine in the process line enters the probe, feeds through the valve down the sampling line to the analyzer. After the analyzer is finished, they shut off the root valve, and open a nitrogen purge line at the analyzer which purges the dry chlorine back through the sampling line into the valve and out the bleed. The third port on valve is plugged.



1070 SANDY HILL ROAD, IRWIN, PA 15642 USA  
 1-800-967-4PBM  
 WWW.PBMVALVE.COM  
 INFO.PBMVALVE@IMI-CRITICAL.COM

