

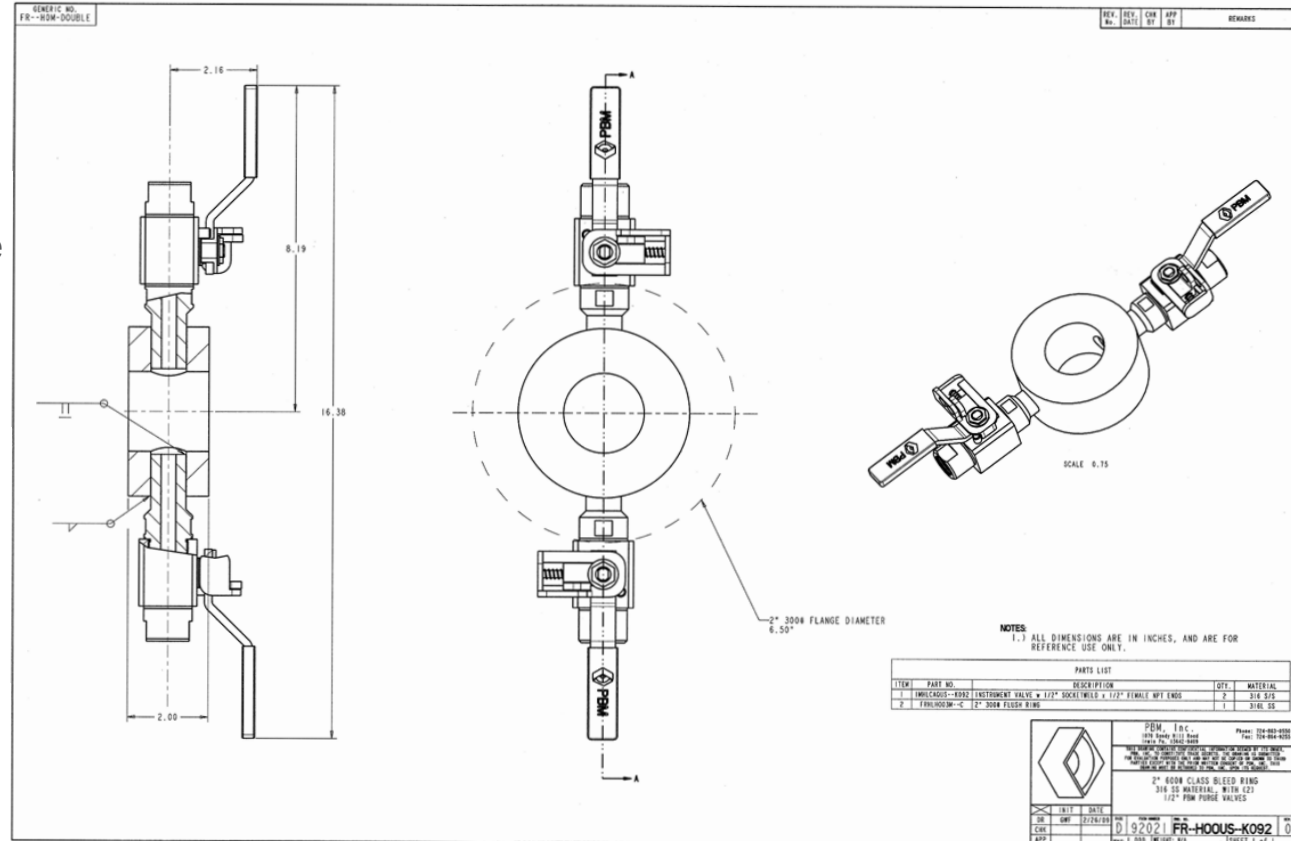


APPLICATION BRIEF - 43/0809

INDUSTRY: CHEMICAL
PRODUCT: BLEED VALVES ON FLUSH RING
MEDIA: HCL TO SULFURIC ACID

IMI PBM Solution:

A leading North American manufacturer of chemicals from HCL to sulfuric acid used this valve to flush out between the valve and the transmitter. The wafer in the middle can be any size. You can use these valves any place you have a tank, transmitter, and valve.



1070 SANDY HILL ROAD, IRWIN, PA 15642 USA
 1-800-967-4PBM
 WWW.PBMVALVE.COM
 INFO.PBMVALVE@IMI-CRITICAL.COM

