



APPLICATION BRIEF - 46/0510

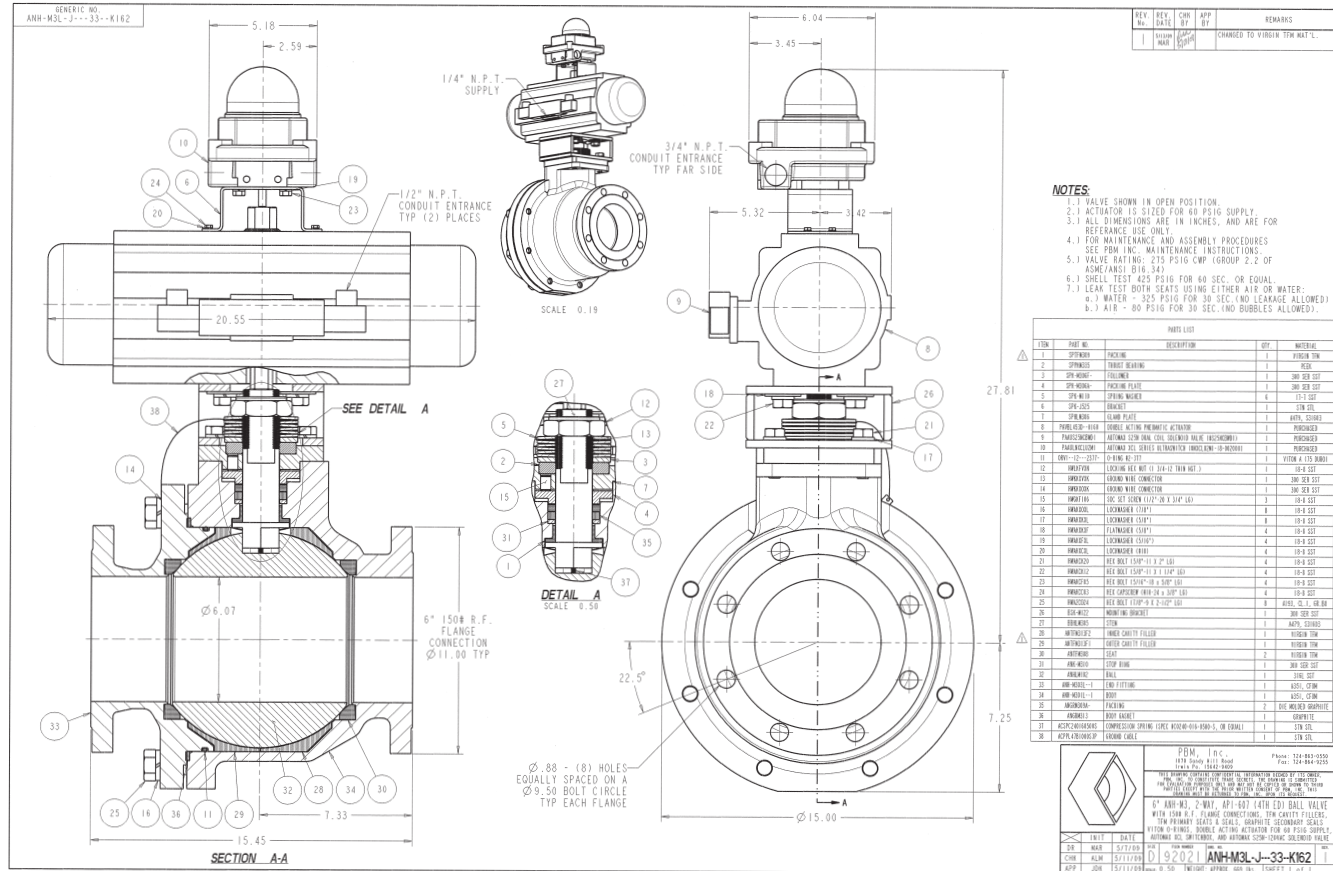
INDUSTRY: PLASTICS MANUFACTURING

PRODUCT: PBM ANSI

MEDIA: STYRENE

IMI PBM Solution:

Manufacturer that uses Styrene had a requirement that included cavity fillers. Styrene reacts with numerous seat and seal materials but not TFMTM material. Valves required all TFM material for seats and seals including cavity fillers.



1070 SANDY HILL ROAD, IRWIN, PA 15642 USA
 1-800-967-4PBM
 WWW.PBMVALVE.COM
 INFO.PBMVALVE@IMI-CRITICAL.COM

