



APPLICATION BRIEF - 06/0805

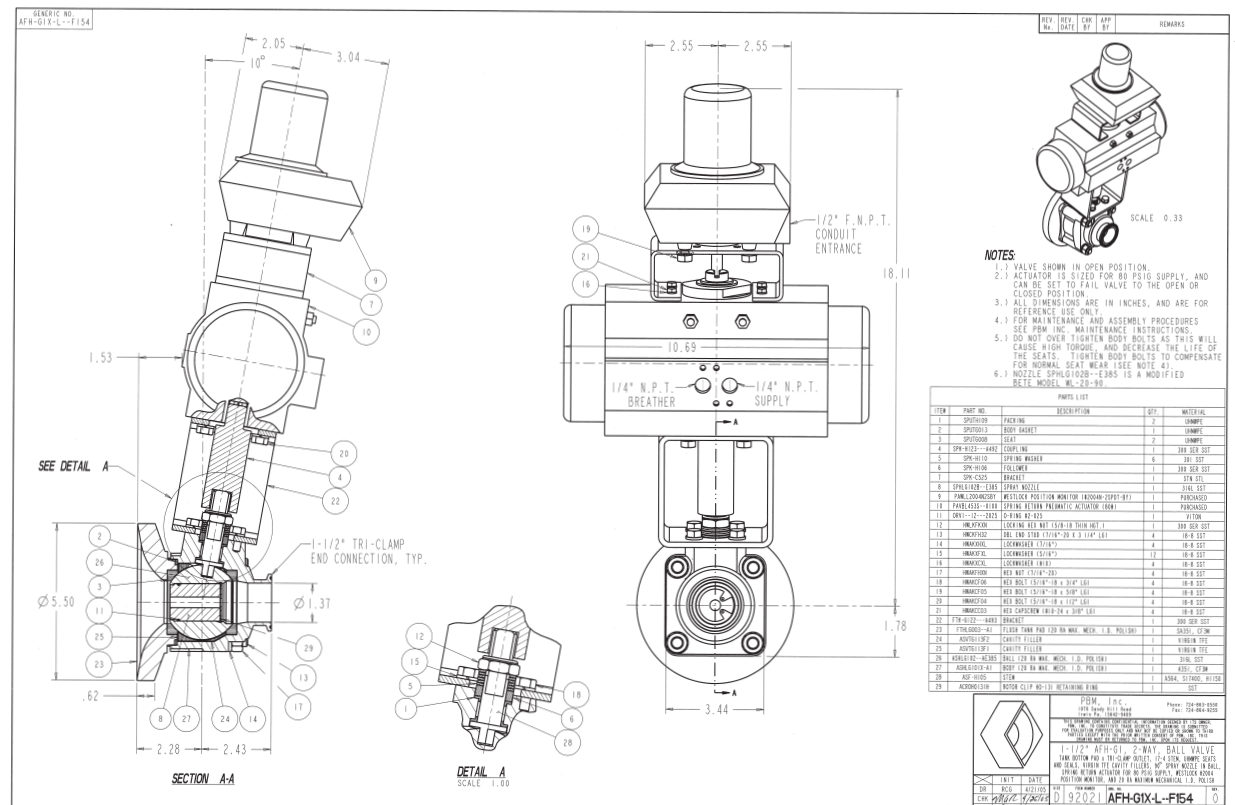
INDUSTRY: CONSUMER PRODUCTS

PRODUCT: ANGLE STEM FLUSH TANK WITH SPRAY NOZZLE BALL, ACTUATOR, LIMIT SWITCH

MEDIA: CIP SOLUTION

IMI PBM Solution:

An International manufacturer of consumer products required a means of cleaning the underside of agitators in a tank that mixed toothpaste and dental products. IMI PBM provided a solution by machining an integral 90° spray nozzle into the ball of an Angle Stem Flush Tank Ball Valve. The valve remains closed during the mixing process; is used between batches to introduce CIP; and rinse solutions through the spray nozzle ball into the tank bottom to completely clean the hard-to-reach undersides of the agitator blades.



IMI PBM • 1070 SANDY HILL ROAD • IRWIN • PA • 15642 • USA

PBMVALVE.COM • 1.800.967.4PBM • INFO.PBMVALVE@IMI-CRITICAL.COM