



APPLICATION BRIEF - 53/0610

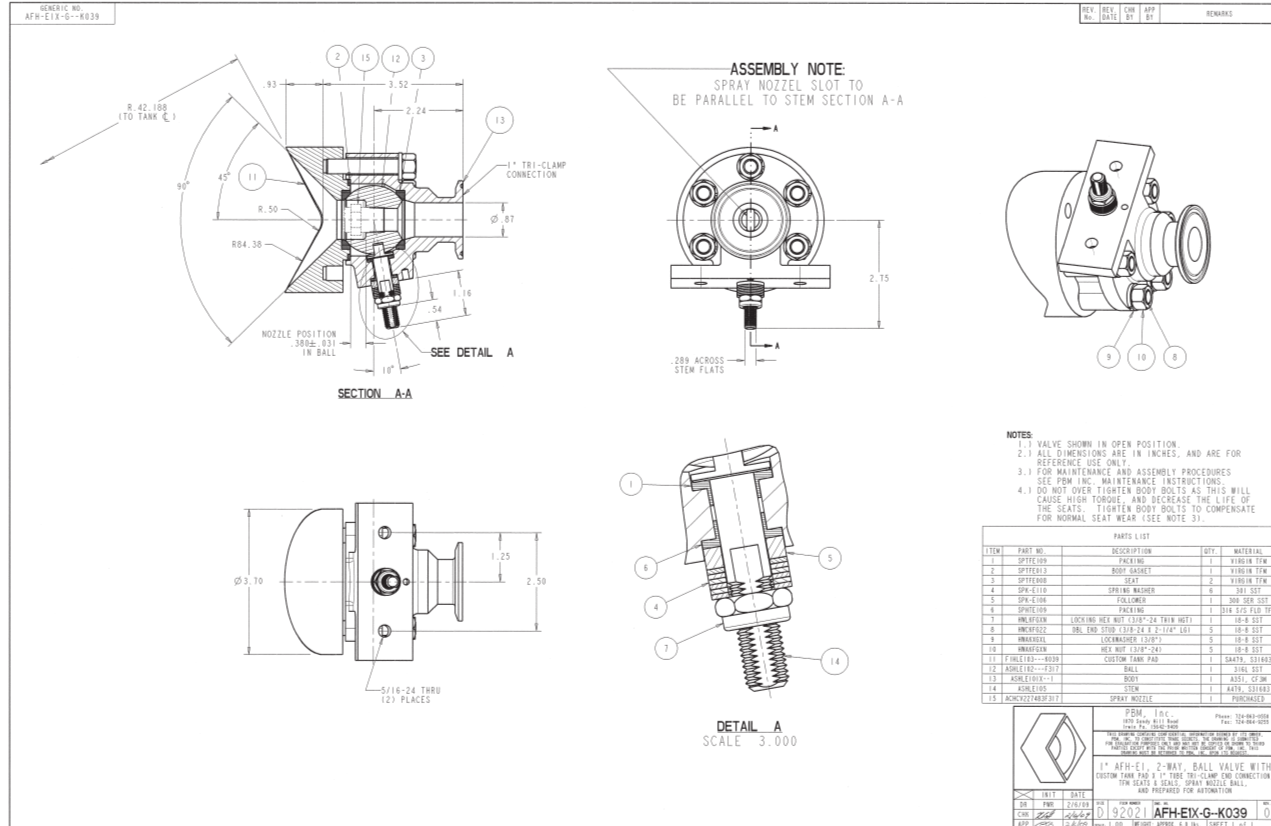
INDUSTRY: CONSUMER PRODUCTS

PRODUCT: SANITARY ANGLE STEM FLUSH TANK

MEDIA: BEAUTY AND PERSONAL CARE PRODUCTS

IMI PBM Solution:

A large manufacturer of beauty care and other personal care products uses angle stem valves with spray nozzle balls and knuckle radius pads in their process application of mixing tanks for the cleaning of the under side of the mixing blades - valves are mounted at a height on the side of tank to accommodate cleaning.



1070 SANDY HILL ROAD, IRWIN, PA 15642 USA
1-800-967-4PBM
WWW.PBMVALVE.COM
INFO.PBMVALVE@IMI-CRITICAL.COM

