



# APPLICATION BRIEF - 09/0805

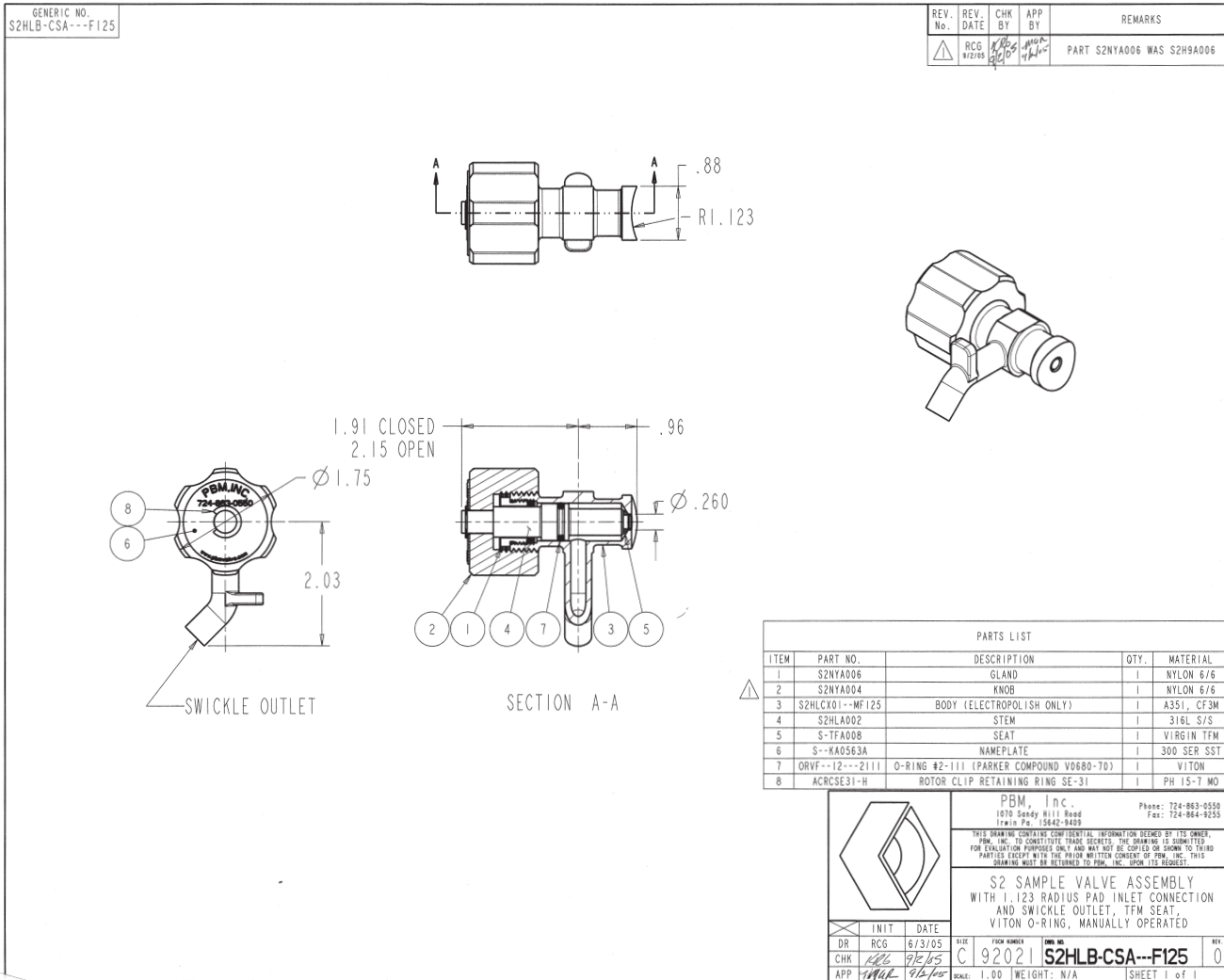
**INDUSTRY:** FOOD & BEVERAGE

**PRODUCT:** RISING STEM SAMPLING VALVE

**MEDIA:** BEER

## IMI PBM Solution:

A major western US brewery was looking for an innovative means of sampling product in various phases of the brewery process. The customer was looking for slight modifications of PBM's standard brewery sampling valve. PBM was able to meet their needs by adding a cylindrical radius weld inlet connection that gave the brewer the flexibility of welding the sampling valve at various points along the process lines.



1070 SANDY HILL ROAD, IRWIN, PA 15642 USA  
1-800-967-4PBM  
WWW.PBMVALVE.COM  
INFO.PBMVALVE@IMI-CRITICAL.COM

