

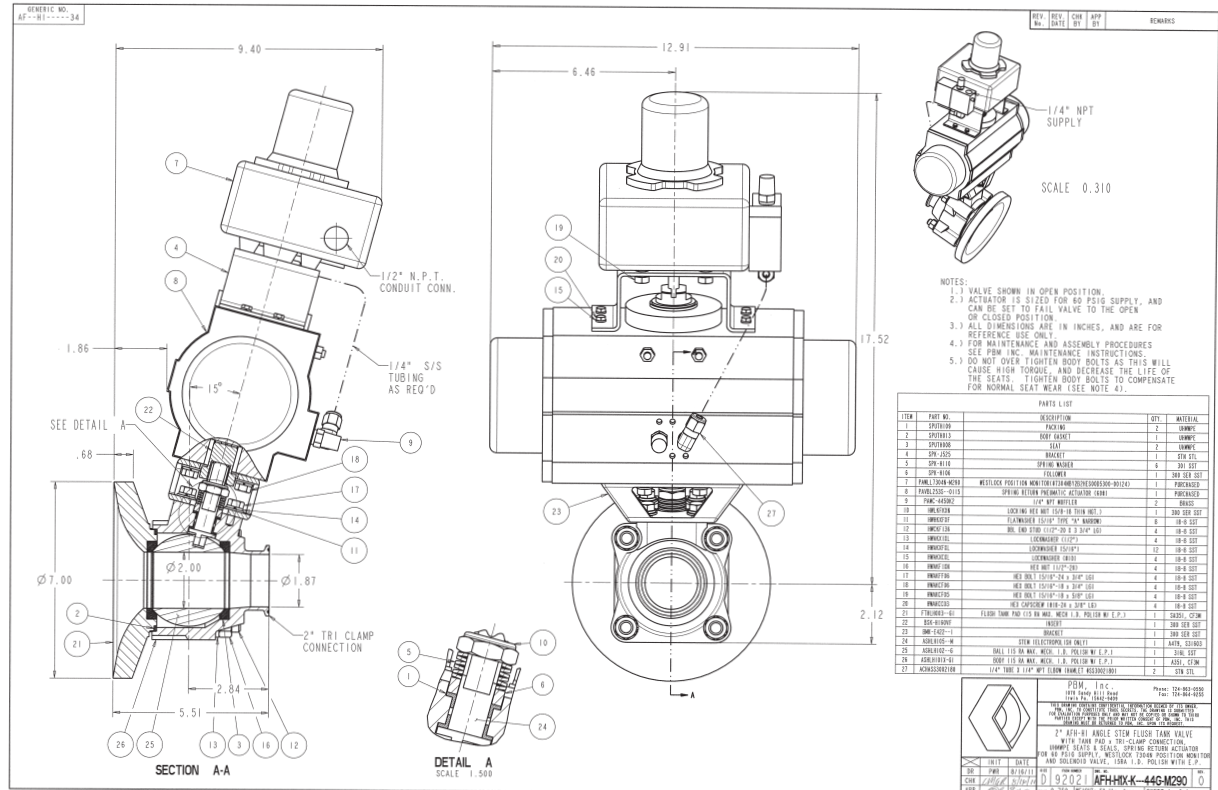


APPLICATION BRIEF - 64/1111

INDUSTRY: TOBACCO
PRODUCT: ANGLE STEM FLUSH TANK VALVE
MEDIA: SMOKELESS TOBACCO

IMI PBM Solution:

An American smokeless tobacco company uses PBM Angle Stem Flush Tank ball valves on their mixing tanks. This PBM valve with a WL 7304 Fieldbus controller is used at 60-80 psig and a temperature of 165-185°F.



1070 SANDY HILL ROAD, IRWIN, PA 15642 USA
 1-800-967-4PBM
 WWW.PBMVALVE.COM
 INFO.PBMVALVE@IMI-CRITICAL.COM

