

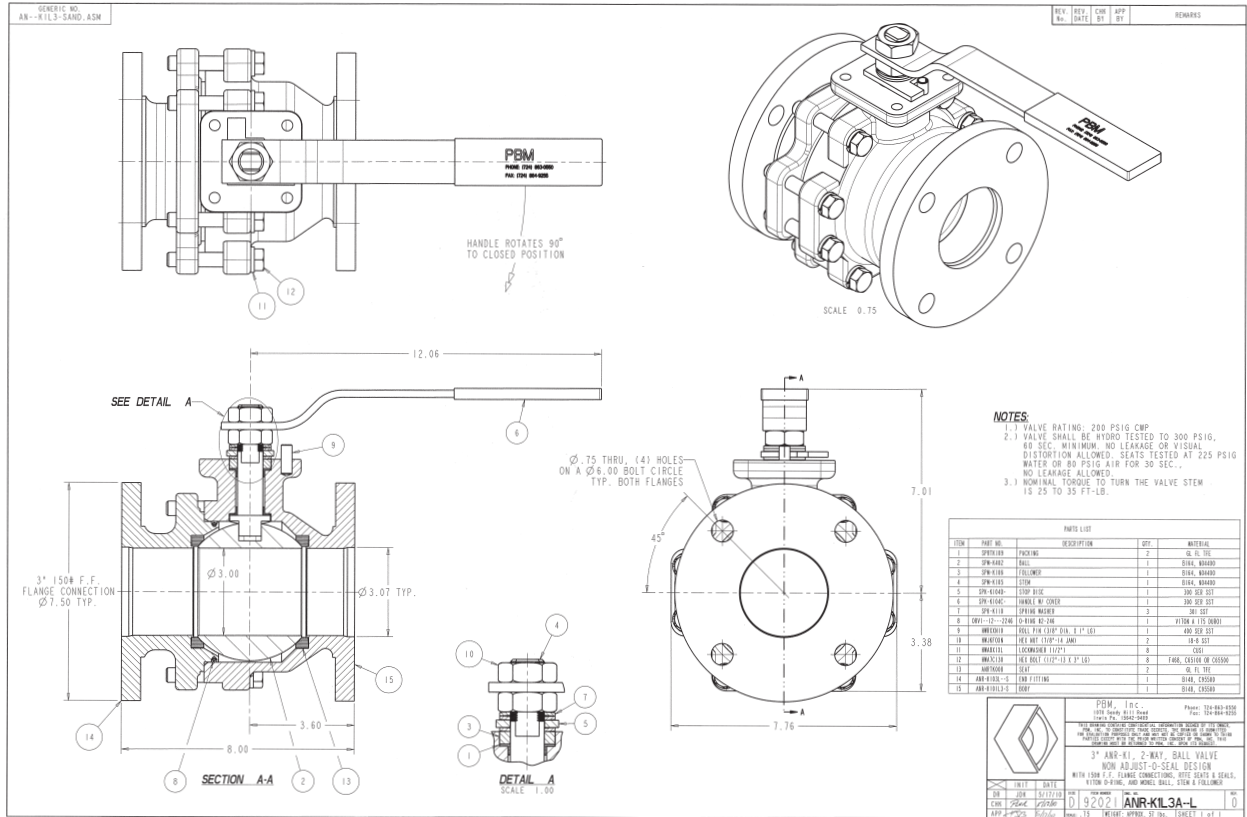


APPLICATION BRIEF - 48/0610

INDUSTRY: MARINE
PRODUCT: ANSI
MEDIA: SEAWATER, COOLING OF ENGINES

IMI PBM Solution:

Valve is used in a marine application. The Coast Guard has designed a new, standard 45' Response Boat - Medium to replace an assortment of boats at all coast guard stations that require this size of boat. Two valves were required to divert water from the sea chest to cool the engines and is then returned to the ocean. The valves also needed to be usable with seawater.



1070 SANDY HILL ROAD, IRWIN, PA 15642 USA
 1-800-967-4PBM
 WWW.PBMVALVE.COM
 INFO.PBMVALVE@IMI-CRITICAL.COM

