



APPLICATION BRIEF - 27/0905

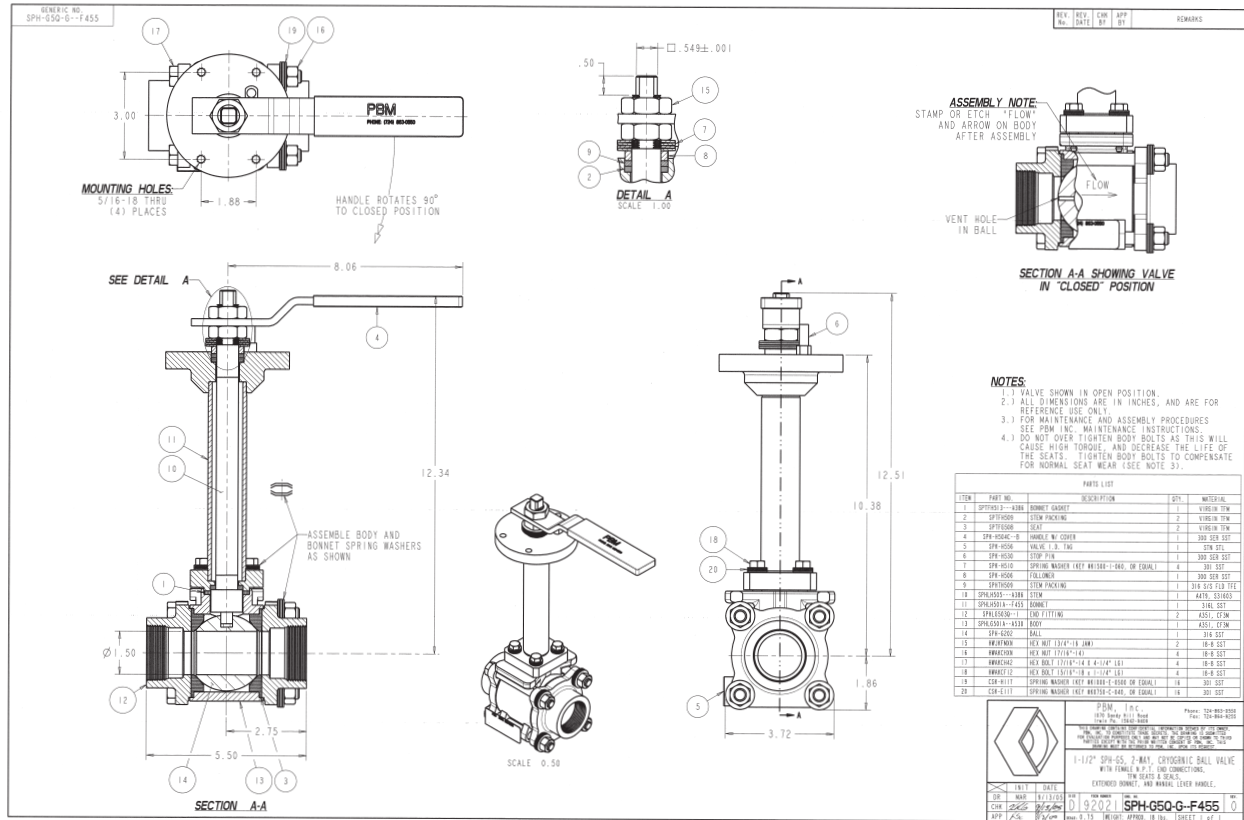
INDUSTRY: NUTRACEUTICAL

PRODUCT: 2-WAY BALL VALVE FOR CRYOGENIC SERVICE

MEDIA: LIQUID CARBON DIOXIDE (CO₂)

IMI PBM Solution:

A major manufacturer of livestock feed nutritional supplements required a valve to handle a process line containing liquid Carbon Dioxide (CO₂). Due to the low temperature of liquid CO₂, a thick layer of ice forms on process piping and valves. PBM supplied a valve with an upstream vent hole, extended stem and handle assembly, and seats and gaskets that will ensure trouble-free operation in this low temperature application.



1070 SANDY HILL ROAD, IRWIN, PA 15642 USA
 1-800-967-4PBM
 WWW.PBMVALVE.COM
 INFO.PBMVALVE@IMI-CRITICAL.COM

