



APPLICATION BRIEF - 54/1010

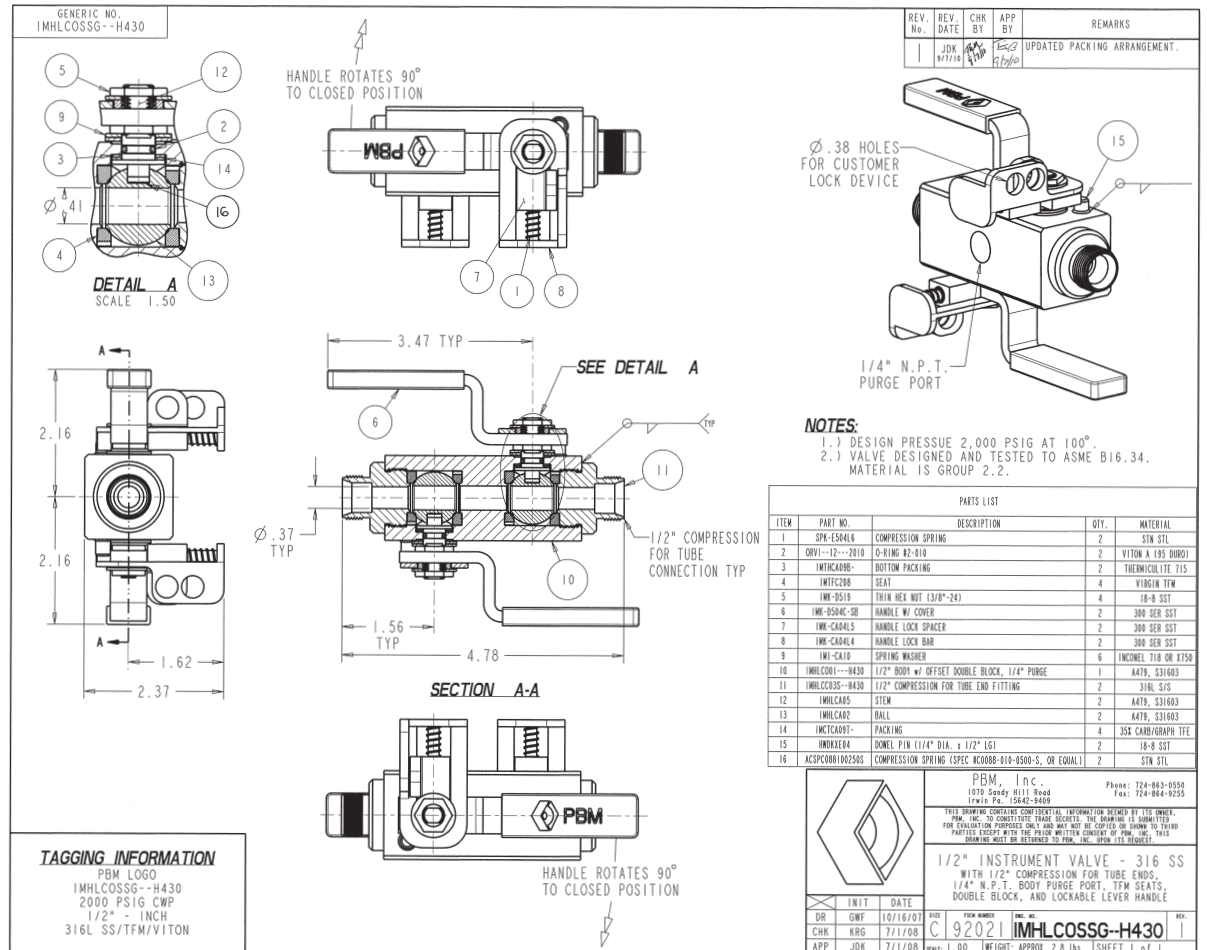
INDUSTRY: REFINERY

PRODUCT: DOUBLE BLOCK & BLEED INSTRUMENT VALVE

MEDIA: GASES AND STEAM

IMI PBM Solution:

A major petroleum company had a need for isolation valves used on wedge meters. They selected PBM double block and bleed valves for their safety and reliability, tight shut-off for isolating gauges, and ability to fit inside the pre-existing envelop dimensions of their instrument panel.



1070 SANDY HILL ROAD, IRWIN, PA 15642 USA
1-800-967-4PBM
WWW.PBMVALVE.COM
INFO.PBMVALVE@IMI-CRITICAL.COM

