



# APPLICATION BRIEF - 59/1010

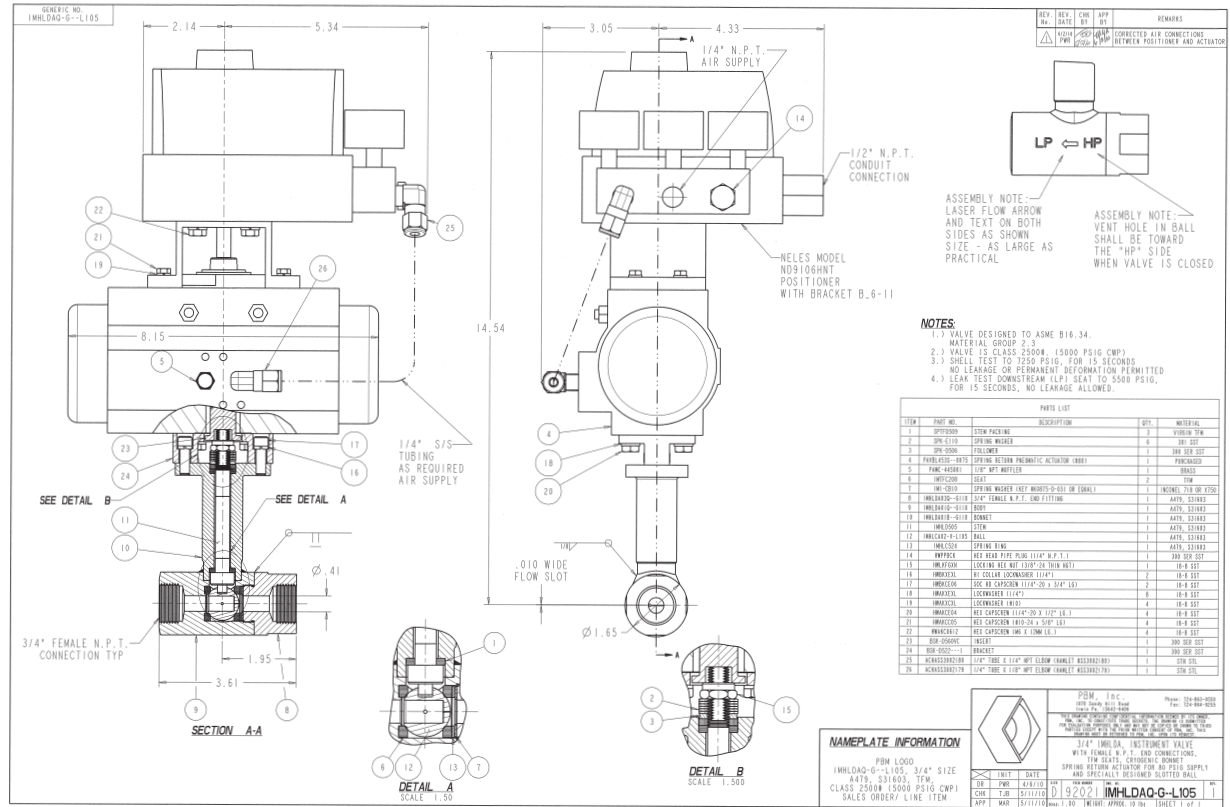
**INDUSTRY:** PETROLEUM

**PRODUCT:** 3/4-INCH INSTRUMENT VALVE WITH SLOTTED BALL AND CRYOGENIC BONNET

**MEDIA:** NITROGEN GAS

## IMI PBM Solution:

A major petroleum company required a instrument valve to control the flow of nitrogen gas injected into wells to force oil to the surface. The application required a cryogenic design capable of handling extreme temperature and pressure ratings, a slotted ball for flow control, and an automation and controls package that provided the safety and reliability of a tight shut-off.



1070 SANDY HILL ROAD, IRWIN, PA 15642 USA  
1-800-967-4PBM  
WWW.PBMVALVE.COM  
INFO.PBMVALVE@IMI-CRITICAL.COM

