

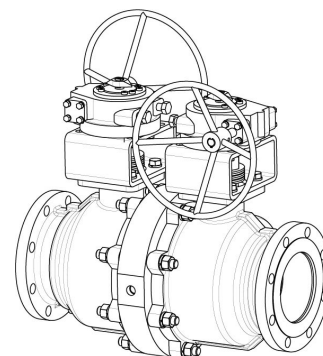
# IMI PBM ANSI DOUBLE BLOCK & BLEED VALVES

## AN/TN SERIES 6, FIRE RATED, Sizes 1/2" - 12"



### DESIGN FEATURES:

- End Connection design and fabrication flexibility
- **AN SERIES 6 DBB VALVES MAY HAVE O-RINGS. CONSULT FACTORY.**
- Full and reduced port designs
- Customizable end connections
- Quarter turn operation
- Bleed or gauge ports available
- Bolted Body
- Tested to API-607 Fire Rated
- API-641 Low-E qualified, optional



The high temperature valve version consists of carbide coating on the ball and seats.

SPECIFICATIONS	AN SERIES 6 DOUBLE BLOCK & BLEED VALVES
Sizes	1/2" - 12" CL150 & CL300
Material	316 Stainless Steel, Hastelloys, Duplex SS, Carbon Steels, Monel, others available
Temperatures	Ambient to 800°F depending on material
End Connections	ANSI RF Flange, others available
Seats & Seals	V-TEF™, C-TEF™, S-TEF®, PEEK®, Stellite, Tungsten or Chrome Carbide Coated S/S Balls & Seats
Stem Packing Material	V-TEF™, C-TEF™ or S-TEF®, Graphite
Maximum Working Pressure	In accordance with ASME B16.34

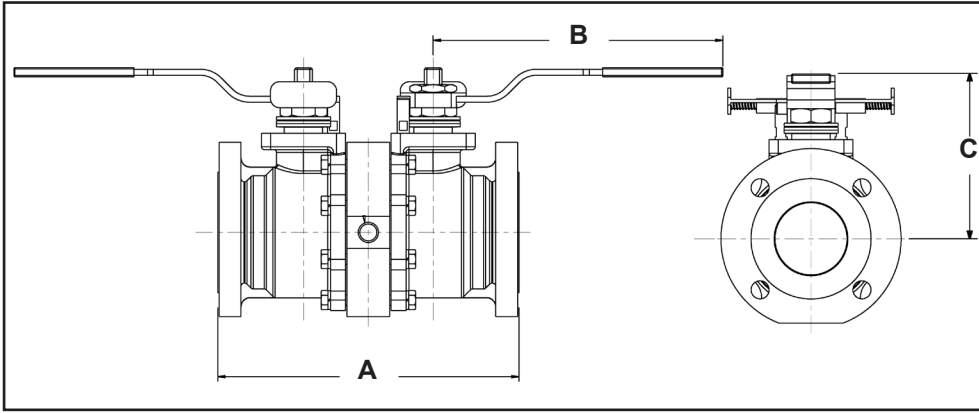
ALLOWABLE WORKING PRESSURES/TEMPERATURES (psig/barg)						
ANSI CL150 FLANGED						
VALVE MATERIAL	-20° TO 100°F	-28.9° to 37.8°C	300°F	148.9°C	450°F	232.2°C
C-276	230	15.9	200	13.8	180	12.4
316/316L S/S	275	19.0	215	14.8	180	12.4
Carbon Steel	285	19.7	230	15.9	185	12.8
ANSI CL300 FLANGED						
C-276	600	41.4	520	35.9	475	32.8
316/316L S/S	720	49.6	560	38.6	495	34.1
Carbon Steel	740	51.0	655	45.2	620	42.7

### How To Order:

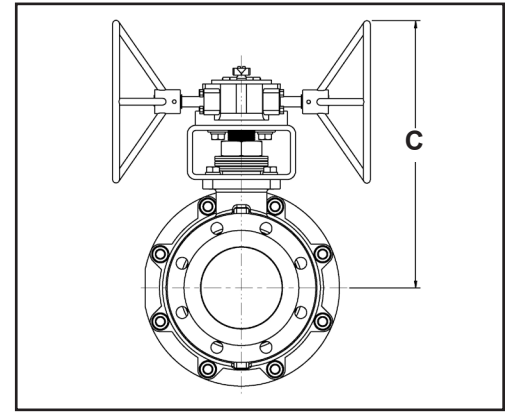
PRODUCT (1-2) MATERIAL (3-4)	TYPE/CLASS (5) SERIES (6)	HP UPSTREAM DOWNSTREAM		SEAT/ SEAL (9)	HP UPSTREAM DOWNSTREAM		BLEED PORT OPTIONS (12)	OPERATOR OPTIONS (13-14)	BLEED VALVE OPTIONS (15)
		1ST END CONN. TYPE (7)	2ND END CONN. TYPE (8)		1ST END CONN. SIZE (10)	2ND END CONN. SIZE (11)			
AN H- Cast 316/316L S/S	K Double Block 150# Class	6 L RF Flange	L RF Flange	G V-TEF™ Seats / Graphite Seals / FKM O-Ring	1 1/2" Full Port	1 1/2" Full Port	A (1) 1/4" FNPT Bleed Port 90° from Stem	-- W/ Standard Lever Handle	A 1/4" FNPT Ball Valve
TN E- Carbon Steel 150# Class Only	L Double Block 300# Class	W RTJ Flange	W RTJ Flange	J V-TEF™ Seats / Graphite Seals / VTFE Cav Fill / FKM O-Ring	E 3/4" Full Port	E 3/4" Full Port	B (1) 1/4" FNPT Bleed Port 180° from Stem	02 W/O Handle / W/ Stem Actuator Prep	B 3/8" FNPT Ball Valve
Other material options available - Contact PBM.				Z V-TEF™ Seats / Graphite Seals / FKM O-Ring	4 1" Full Port	4 1" Full Port	C (1) 3/8" FNPT Bleed Port 90° from Stem	04 Locking Lever Handle	C 1/2" FNPT Ball Valve
				2 V-TEF™ Seats / Graphite Seals / VTFE Cav Fill / EPR O-Ring	H 2" Full Port	H 2" Full Port	D (1) 3/8" FNPT Bleed Port 180° from Stem	08 Gear Operator (Req'd for 6")	D 3/4" FNPT Ball Valve
Other seat/seal options available - Contact PBM.				H S-TEF® Seats / Graphite Seals / FKM O-Ring	K 3" Full Port	K 3" Full Port	E (1) 1/2" FNPT Bleed Port 90° from Stem	18 Extended Handle (1/2" thru 4")	E 1" FNPT Ball Valve
				0 S-TEF® Seats / Graphite Seals / EPR O-Ring	L 4" Full Port	L 4" Full Port	F (1) 1/2" FNPT Bleed Port 180° from Stem	20 DA 80psig actuator	L 1/4" Welded Ball Valve
Other seat/seal options available - Contact PBM.				9 V-TEF™ Seats / Seals / FEP Encaps. FKM O-Rings	M 6" Full Port	M 6" Full Port	G (1) 3/4" FNPT Bleed Port 90° from Stem	27 DA 60psig actuator	M 3/8" Welded Ball Valve
				J (1) 1/4" Socket Weld Bleed Port 90° from Stem	34 SR 80psig actuator	N 1/2" Welded Ball Valve			
Other operator options available - Contact PBM.				K (1) 1/4" Socket Weld Bleed Port 180° from Stem	J (1) 1/4" Socket Weld Bleed Port 90° from Stem	H (1) 3/4" FNPT Bleed Port 180° from Stem	41 SR 60psig actuator	P 3/4" Welded Ball Valve	
				L (1) 3/8" Socket Weld Bleed Port 90° from Stem	K (1) 3/4" Socket Weld Bleed Port 90° from Stem	R (1) 3/4" Socket Weld Bleed Port 180° from Stem	Q 1" Welded Ball Valve		
				M (1) 3/8" Socket Weld Bleed Port 180° from Stem	N (1) 1/2" Socket Weld Bleed Port 90° from Stem				
				P (1) 1/2" Socket Weld Bleed Port 180° from Stem	Q (1) 3/4" Socket Weld Bleed Port 90° from Stem				

# IMI PBM AN/TN SERIES 6 FIRE RATED DOUBLE BLOCK &

Double Block & Bleed with Locking Handle



Double Block & Bleed with Gear Operator



AN Series 6 DBB Dimensioned valves in inches						
Valve Size	A		B		C	
	CL150	CL300	CL150	CL300	CL150	CL300
1/2"	CF	CF	4.15	4.15	2.66	2.66
3/4"	CF	CF	4.15	4.15	2.81	2.81
1"	9.04	10.84	5.09	5.09	3.09	3.09
1-1/2"	11.57	12.57	8.03	8.03	4.43	4.43
2"	12.60	14.04	8.03	8.03	4.74	4.74
3"	12.54	15.78	12.06	12.06	6.85	6.85
4"	14.72	17.72	24.06	24.06	9.00	9.00
6"	24.46	29.19	GEAR OP	GEAR OP	19.75	19.75
8"	34.30	42.00	GEAR OP	GEAR OP	23.10	28.63
10"	47.13	N/A	GEAR OP	N/A	32.91	N/A
12"	53.13	N/A	GEAR OP	N/A	33.48	N/A

