

IMI PBM LEAD-FREE BRONZE BALL VALVES

1/2" - 6" ANSI Split-Body Flanged Ball Valves

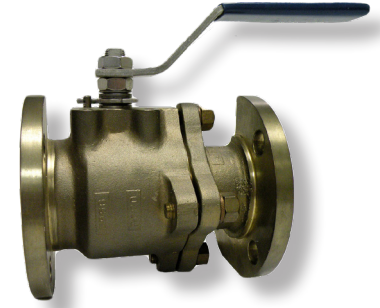
1/2" - 4" 2-Way, 3-Piece Ball Valves



MATERIAL DESIGN FEATURES:

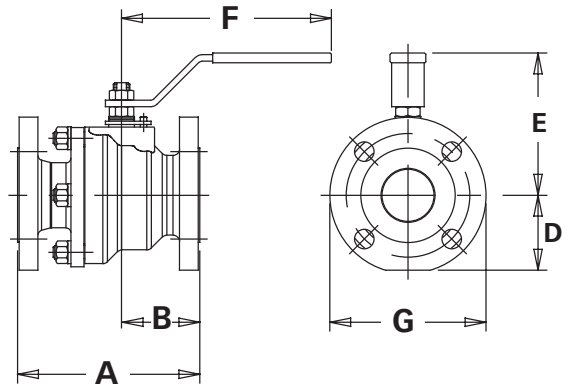
- CERTIFIED TO NSF 61 AND NSF-372 FOR DRINKING COMPONENTS *
- MATERIALS: BISMUTH TIN BRONZE C89833/C89835 OR SILICON BRONZE C87600
- "LEAD FREE" IS DEFINED IN PUBLIC LAW 111-380 (REDUCTION OF LEAD IN DRINKING WATER ACT) AS <0.25% LEAD CONTENT IN PRODUCT CONTACT MATERIALS

* COPPER ALLOYS C89833, C89835, AND C87600 HAVE BEEN EVALUATED BY NSF TO NSF/ANSI/CAN 61 FOR USE IN DRINKING WATER SUPPLIES PH OF 6.5 AND ABOVE. DRINKING WATER SUPPLIES THAT ARE LESS THAN PH 6.5 MAY REQUIRE CORROSION CONTROL TO LIMIT LEACHING OF COPPER INTO THE DRINKING WATER.



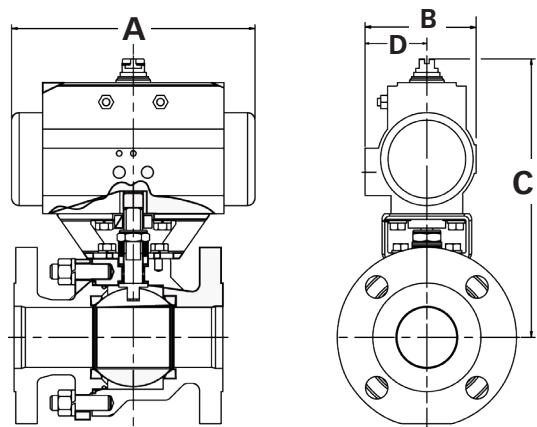
ANSI, AN SERIES 1, 150# CLASS

Valve Size	Port Dia.	A Overall Length	B C _L to Face End	D C _L to Bottom of Flange	E C _L to top of Handle	F Handle Length from C _L	G Flange Dia.	Approx. Weight (lbs.)
1/2"	.62	4.25	1.76	1.62	3.07	6.09	3.50	6
3/4"	.81	4.62	1.94	1.88	3.14	6.09	3.88	9
1"	1.00	5.00	2.20	2.06	3.80	6.09	4.25	10
1-1/2"	1.50	6.50	2.78	2.38	5.25	8.06	5.00	20
2"	2.00	7.00	2.99	2.88	5.56	8.06	6.00	24
3"	3.00	8.00	3.62	3.75	7.08	12.06	7.50	92
4"	4.00	9.00	3.84	4.50	7.93	14.06	9.00	118
6"	6.00	15.50	7.35	6.98	CF	CF	11.00	330



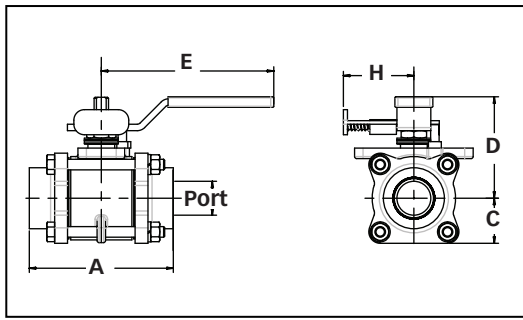
RTFE OR UHMWPE SEAT MATERIAL							
Size	Actuator Type	Air Supply (psig)	A	B	C	D	NPT
1/2"	Double Acting	60, 80	5.55	2.80	6.30	1.61	1/8
	Spring Return	80	6.46	3.17	6.30	1.77	1/8
	Spring Return	60	8.27	3.72	6.75	2.07	1/8
3/4"	Double Acting	60, 80	5.55	2.80	6.41	1.61	1/8
	Spring Return	60, 80	6.46	3.17	6.86	1.77	1/8
1"	Double Acting	60, 80	5.55	2.80	7.64	1.61	1/8
	Spring Return	80	8.27	3.72	8.80	2.07	1/8
	Spring Return	60	9.47	4.17	8.80	2.30	1/8
1-1/2"	Double Acting	60, 80	8.27	3.72	8.97	2.07	1/8
	Spring Return	80	10.83	4.84	9.52	2.67	1/4
	Spring Return	60	13.11	4.84	10.15	2.68	1/4
2"	Double Acting	60, 80	8.27	3.72	9.28	2.07	1/8
	Spring Return	80	10.83	4.84	10.33	2.67	1/4
	Spring Return	60	13.11	5.39	10.33	2.87	1/4
3"	Double Acting	60, 80	13.11	5.39	14.25	2.87	1/4
	Spring Return	80	14.65	5.83	14.73	3.15	1/4
	Spring Return	60	17.13	6.46	15.62	3.44	1/4
4"	Double Acting	80	13.11	5.39	17.26	2.87	1/4
	Double Acting	60	14.65	6.46	17.26	3.44	1/4
	Spring Return	60, 80	19.69	7.36	19.57	3.94	1/4
6"	Double Acting	60, 80	19.69	7.36	21.54	3.94	1/4
	Spring Return	80	22.78	8.58	23.79	4.29	1/4
	Spring Return	60	26.46	11.42	28.55	5.71	1/4

ANSI, AN SERIES 1, ACTUATED

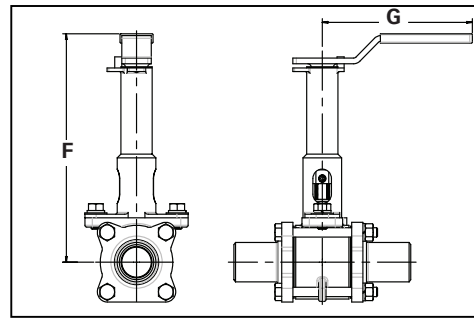


IMI PBM INDUSTRIAL 2-WAY BALL VALVES, SERIES 5, MANUAL*

2-Way Valve with Locking Handle



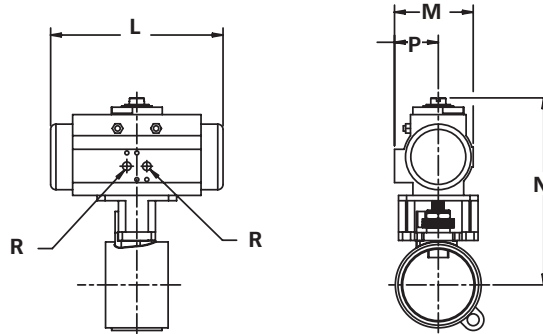
2-Way Valve with Ext. Locking Handle



Valve Size	Size Code	Port Dia.	A		C	D	E	Ext. Locking Handle		Locking Handle		Approx. Weights	
			Face to Face					Q to Bottom Q-S-T-U	Q to Top of Handle	Handle Length from Q	F	G	H
			Q-U-S-T	L									
1/2"	C	0.5	3.12	5.5	0.92	2.63	4.15	7.19	5.09	1.62	.25	1.7 lbs.	4.0 lbs.
3/4"	D	0.75	3.44	5.8	1	2.78	4.15	7.34	5.09	1.62	.25	2.0 lbs.	5.2 lbs.
1"	E	1	4.25	6.5	1.33	3.03	5.09	7.62	5.09	2.08	.28	4.5 lbs.	8.7 lbs.
1-1/2"	G	1.5	5.5	8	1.78	4.1	8.68	9.45	8.00	2.58	.38	10.2 lbs.	17.4 lbs.
2"	H	2	6	9.8	2.15	4.41	8.68	9.76	8.00	2.58	.38	15.4 lbs.	26.5 lbs.
2-1/2"	J	2.5	8	11.5	2.79	6.45	12.44	11.36	12.06	3.47	.38	36.0 lbs.	53.5 lbs.
3"	K	3	9	12.8	3.14	6.78	12.44	11.69	12.06	3.47	.38	48 lbs.	68 lbs.
4"	L	4	12	15	4.91	7.34	24.4	13.97	24.06	NA	.44	109 lbs.	157 lbs.

ACTUATED DIMENSIONS

Unit of Measure = inches
Dimensions based on actuators used with V-TEF™ seats.



Size	80 PSI Double Acting					60 PSI Double Acting					80 PSI Spring Return					60 PSI Spring Return				
	L	M	N	P	R	L	M	N	P	R	L	M	N	P	R	L	M	N	P	R
1/2"	5.55	2.8	5.84	1.61	1/8	5.55	2.8	5.84	1.61	1/8	5.55	2.8	5.84	1.61	1/8	6.46	3.17	6.29	1.77	1/8
3/4"	5.55	2.8	5.99	1.61	1/8	5.55	2.8	5.99	1.61	1/8	6.46	3.17	6.44	1.77	1/8	6.46	3.17	6.44	1.77	1/8
1"	5.55	2.8	6.64	1.61	1/8	5.55	2.8	6.64	1.61	1/8	8.27	3.72	7.8	2.07	1/8	8.27	3.72	7.80	2.07	1/8
1-1/2"	6.46	3.17	8.39	1.77	1/8	8.27	3.72	9.1	2.07	1/8	10.83	4.84	10.15	2.68	1/4	10.83	4.84	10.15	2.68	1/4
2"	8.27	3.72	9.41	2.07	1/8	8.27	3.72	9.41	2.07	1/8	10.83	4.84	10.46	2.68	1/4	13.11	5.39	11.82	2.87	1/4
2-1/2"	13.11	5.39	13.48	2.87	1/4	13.11	5.39	13.48	2.87	1/4	13.11	5.39	13.48	2.87	1/4	14.65	5.83	13.96	3.15	1/4
3"	13.11	5.39	13.81	2.87	1/4	13.11	5.39	13.81	2.87	1/4	14.65	5.83	14.29	3.15	1/4	17.15	6.46	15.18	3.44	1/4
4"	17.15	6.46	17.34	3.44	1/4	17.15	6.46	17.34	3.44	1/4	19.69	7.36	18.28	3.94	1/4	19.69	7.36	18.28	3.94	1/4

*LEAD FREE: The wetted surfaces of this product shall contain no more than 0.25% lead by weighted average.

www.PBMValve.com

PBM, Inc. • 1070 Sandy Hill Road, Irwin, PA 15642

Phone: 800.967.4PBM • 724.863.0550

E-mail: info.pbmvalve@imi-critical.com



© Copyright 2020 PBM, Inc. PB-LFB