

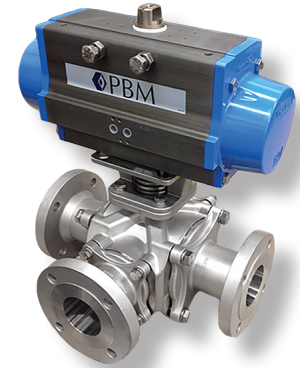
IMI PBM INDUSTRIAL 3, 4, or 5-WAY MULTI-PORT BALL VALVES



MP SEREIS 5, CL 150#, 1/2" - 4"

DESIGN FEATURES:

- Unique Adjust-O-Seal® feature allows in-line valve adjustment to compensate for normal wear on valve seats.
- **MP Series Multi-Port valves DO NOT have o-rings.**
- Choose from 4-way and 5-way flow patterns available offering for 90°, 180° and 360° operation
- Full-port diameters minimize pressure drops (1/2 - 4")
- Upstream and downstream bubble-tight sealing capability allows valve body cleaning, purging, and draining.
- Stem assembly accommodates PBM Direct Mount Actuation for accurate alignment and increased cycling life.
- In some processes, a single Multi-Port ball valve can replace several 2-way valves in a piping system, reducing costs and simplifying flow control with actuation.
- Full port design
- Valves are rated to full vacuum.
- Specify PBM flow pattern for 3, 4, or 5-way valves.
- Piggable "Y" Port valves are also available. Contact PBM.



SPECIFICATIONS	Multi-Ported Ball Valves
Sizes	1/2" - 4" Series 5
Material	316/316L Stainless Steel
Temperatures	Ambient for V-TEF™ to 400° F, S-TEF® to 450° F
End Connections	Buttweld for pipe, flange, NPT, Socket weld, or other
Seats, Seals and Stem Packings	V-TEF™ material standard, others available
O-Ring	O-ring seal (FKM V1274-75/80, EPR E3608-70, others available)
Body Bolts & Nuts	18-8 Stainless Steel
Maximum Working Pressure	up to 275 psig CWP depending on valve size and temperature

Size	CV Values (gpm)			
	L-Port	T-Port		LL-Port
		Straight	Branch	
1/2"	6.6*	6.6*	5.4*	6.0*
3/4"	16*	16*	12*	14*
1"	33	33	21	30
1-1/2"	80	80	49	72
2"	147	147	89	126
3"	351	351	212	295
4"	613	613	368	443

* FNPT ends

How To Order:

PRODUCT (1-2) MATERIAL (3-4)			SIZE (5) SERIES (6)		END CONN. (7-8)	SEAT & SEAL (9)	FLOW PATTERNS (10-11)	BALL & STEM (12)	OPERATOR (13-14)	POLISH (15-16)								
MP	H-	Cast 316/316L S/S	C	1/2"	5	B-	Sch. 40 Butt Weld	G	V-TEF™ Seats / Seals	01	3-Way Side Entry T-Port Ball 90°	-	Standard Ball and Stem	--	W/ Standard Lever Handle (1/2" thru 3")	-	125 Ra ID Standard	
				HL		Sch. 10 Butt Weld	J	V-TEF™ Seats / Seals VTFE Cavity Fillers	02	3-Way Side Entry T-Port Ball 90°	F	Internal / External Grounding	02	W/O Handle W/ Stem Actuator Prep	A	20 Ra ID		
				E	1"		L-	150# Flange	H	S-TEF® Seats / Seals	18	3-Way Btm. Entry LL-Port Ball 90°	G	17-4PH Stem	04	Locking Lever Handle (1/2" thru 2")	C	20 Ra ID / 32 Ra OD
				G	1-1/2"		Q-	Female NPT	I	S-TEF® Seats / Seals VTFE Cavity Fillers	26	4-Way Btm. Entry L-Port Ball 360°			08	Gear Operator (Req'd for 4")		
				H	2"		U-	Socket Weld	K	UHMWPE Seats / Seals	37	4-Way Side Entry LL-Port Ball 90°			20	DA 80psig actuator	F	20 Ra ID after Electro Polish
				K	3"				L	UHMWPE Seats / Seals VTFE Cavity Fillers	44	5-Way Btm. Entry L-Port Ball 360°			27	DA 60psig actuator		
				L	4"										34	SR 80psig actuator - Fail Position must be specified		More polish available - Contact PBM.
															41	SR 60psig actuator - Fail Position must be specified		

<http://pbmvalve.com/build-a-part-number>

Other seat/seal options available - Contact PBM.

Other Flow Pattern Options available - Contact PBM.

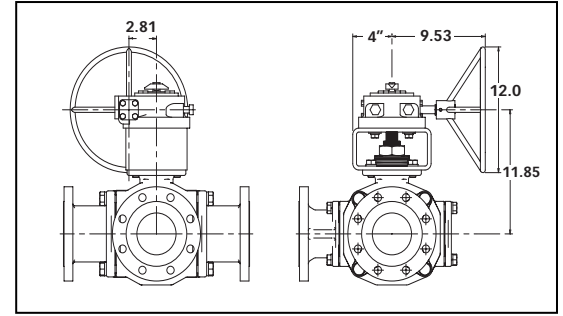
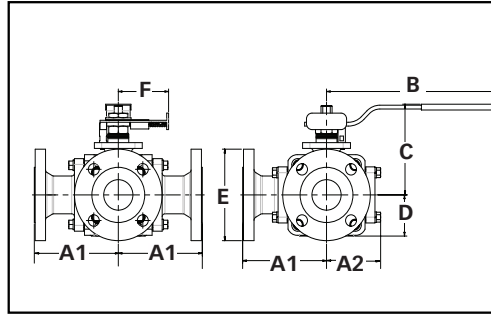
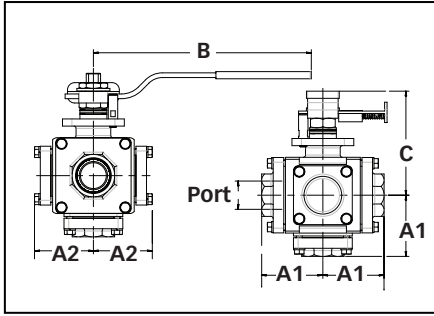
Other operator options available - Contact PBM.

PBM Industrial Multi-ported Ball Valves

Multi-port with Locking Handle

Multi-port with flanged ends

Multi-port with Gear Operator (6" only)

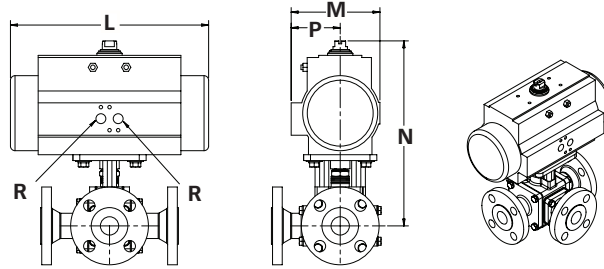


Valve Size	Size Code	Port Dia.	A1		A2	B	C	D	E	Locking Handle		Socket Weld Dia.	Approx. Weight
			Q to Face		Q to Blank	Handle Length from Q	Q to Top of Handle	Q to Bottom Side Entry	150# Flange Dia.	F	Hole Dia. for Lock		
			Q-U-	L-	Q-U-L-								
1/2"	C	0.5	2.25	NA	2.00	5.09	3.1	1.44	NA	2.08	.28	0.87	7 lbs.
3/4"	D	0.75	2.25	NA	2.00	5.09	3.1	1.44	NA	2.08	.28	1.08	7 lbs.
1"	E	1	2.38	3.75	2.23	8.03	4	1.67	4.25	2.56	.38	1.34	10.5 lbs.
1-1/2"	G	1.5	3.25	5	3.13	11.56	5.53	2.22	5	3.41	.38	1.93	26.8 lbs.
2"	H	2	3.75	5.75	3.71	11.56	6	2.7	6	3.45	.38	2.42	40.5 lbs.
3"	K	3	6	8.25	5.45	NA	NA	3.75	7.5	NA	.44	3.55	100 lbs.
4"	L	4	NA	9.5	6.63	NA	NA	4.88	9	NA	NA	NA	214 lbs.

* A gear operator is recommended for 4" valves.

ACTUATED DIMENSIONS

Unit of Measure = inches
Dimensions based on actuators used with V-TEF™ seats.



Size	80 PSI Double Acting					60 PSI Double Acting					80 PSI Spring Return					60 PSI Spring Return				
	L	M	N	P	R	L	M	N	P	R	L	M	N	P	R	L	M	N	P	R
1/2"	4.45	2.8	6.88	1.61	1/8	4.45	2.8	6.88	1.61	1/8	8.27	3.72	7.59	2.07	1/8	9.47	4.17	8.14	2.3	1/8
3/4"	4.45	2.8	6.88	1.61	1/8	4.45	2.8	6.88	1.61	1/8	8.27	3.72	7.59	2.07	1/8	9.47	4.17	8.14	2.3	1/8
1"	8.27	3.72	9	2.07	1/8	8.27	3.72	9	2.07	1/8	10.83	4.84	10	2.68	1/4	13.11	5.39	11.4	2.87	1/4
1-1/2"	13.11	5.39	13.58	2.87	1/4	13.11	5.39	13.58	2.87	1/4	14.65	5.83	14.06	3.15	1/4	17.13	6.46	14.95	3.44	1/4
2"	13.11	5.39	14	2.87	1/4	13.11	5.39	14	2.87	1/4	14.65	5.83	14.5	3.15	1/4	17.13	6.46	15.38	3.44	1/4
3"	13.11	5.39	15.67	2.87	1/4	14.65	5.83	14.5	3.15	1/4	19.69	7.36	18	3.9	1/4	22.78	8.58	20.25	4.29	1/4
4"	22.78	8.58	22.25	4.29	1/4	22.78	8.58	22.25	4.29	1/4	22.78	8.58	22.25	4.29	1/4	26.46	11.42	27	5.71	1/4

www.PBMValve.com

PBM, Inc. • 1070 Sandy Hill Road, Irwin, PA 15642

Phone: 800.967.4PBM • 724.863.0550

E-mail: info.pbmvalve@imi-critical.com



© Copyright 2020 PBM, Inc. PB-MP5