

IMI PBM POLYMER RADIAL TANK OUTLET VALVES

RD Series, Sizes 1" - 2"

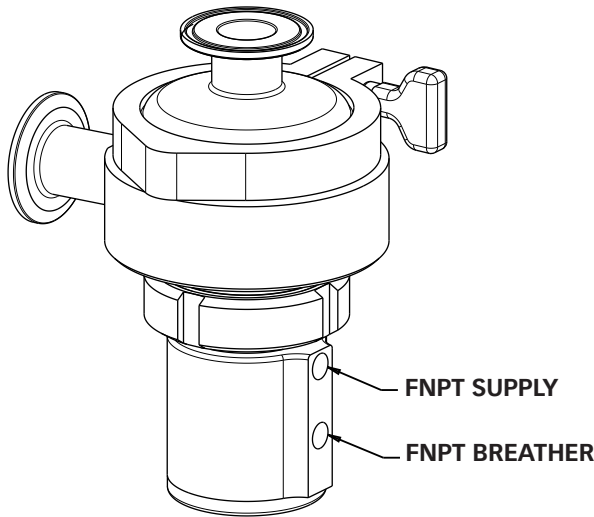


DESIGN FEATURES:

- Smooth sloping design for complete drainage
- 2° sloped outlet
- Machined from polypropylene or PVDF material
- Outlet sizes can be customized upon request - Contact IMI PBM
- Diaphragm seal easily removed for quick change-out
- Silicone diaphragm is medical grade platinum cured
- Full material traceability and documentation package
- Exceeds performance requirements of ASME-BPE testing



SPECIFICATIONS	RD VALVE
Sizes	1" - 2"
Maximum Working Pressure	10 PSIG CWP
Diaphragm/Gasket Materials	Silicone or V-TEF™
Maximum Service Temperature	Polypropylene (104°C / 220°F), PVDF (110°C / 230°F)



WEIGHTS (lbs.)		
Size	Manual	Actuated
1"	4.7	5.8
1-1/2"	6.0	9.0
2"	9.2	13.4

CV Values (gpm)	
Size	gal./min.
1"	14.60
1-1/2"	48.10
2"	72.20

How To Order:

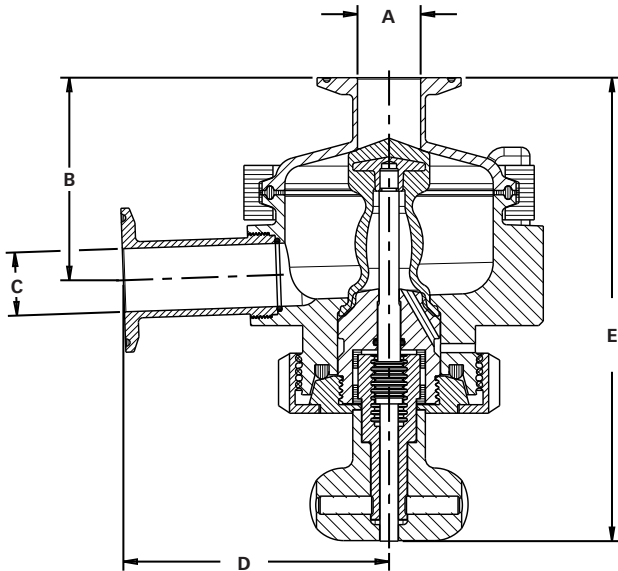
PRODUCT (1-2)/MATERIAL (3-4)			SIZE (5) SERIES (6)		OUTLET END CONN. (7)		OUTLET ORIENTATION CONNECTION (8)		DIAPHRAGM /GASKET (9)		PURGE PORTS (12)		OPERATOR (13-14)		
RD	PP	Polypropylene	E	1"	1	X	Hygienic Clamp	1	2° Slope W/ Straight Outlet	B	Silicone/Silicone	-	No purge option(s) selected	--	w/Manual Knob
			G	1-1/2"				3	Tangential 2° slope W/ Straight Outlet	G	V-TEF™	A	(1) 1/2" clamp on center opposite outlet	20	SR80 psig actr
			H	2"						H	V-TEF™/EPDM	B	(1) 1/2" BWTE on center opposite outlet	21	SR80 psig actr & GP LS
										I	V-TEF™/FKM	R	(1) 1/2" Satellite Valve - Hygienic Clamp - Manual	23	SR80 psig actr & GP Limit switch & 120VAC Solenoid
												S	(1) 1/2" Satellite Valve - Ext. Butt Weld - Tube - Manual	56	SR80 psig actr & GP Limit switch & 24VDC Solenoid

X1 = STANDARD STRAIGHT OUTLET
X3 = TANGENTIAL OUTLET

<https://pbmvalve.com/build-a-part-number>

Other purge port / satellite valve options - Consult factory.

IMI PBM Polymer Radial Diaphragm Valve Dimensions

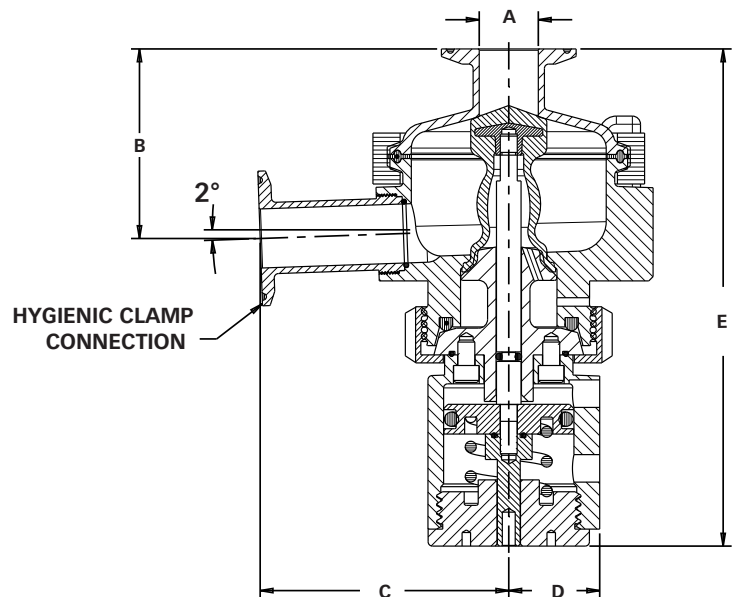


Manual Clamp Mounted Radial Diaphragm Valves

Size	A	B	C	D	E (Open)	E (Closed)
1"	0.87"	2.79"	0.87"	3.66"	6.69"	6.38"
1-1/2"	1.37"	3.08"	1.37"	3.65"	7.41"	6.91"
2"	1.87"	3.40"	1.87"	4.65"	10.11"	9.51"

Actuated Clamp Mounted Radial Diaphragm Valves

Size	A	B	C	D	E (Open)	E (Closed)
1"	0.87"	2.79"	0.87"	3.66"	7.63"	7.32"
1-1/2"	1.37"	3.08"	1.37"	3.65"	9.25"	8.75"
2"	1.87"	3.40"	1.87"	4.65"	10.11"	9.51"



www.PBMVALVE.com

PBM, Inc. • 1070 Sandy Hill Road, Irwin, PA 15642

Phone: 800.967.4PBM • 724.863.0550

E-mail: info.pbmvalve@imi-critical.com

