

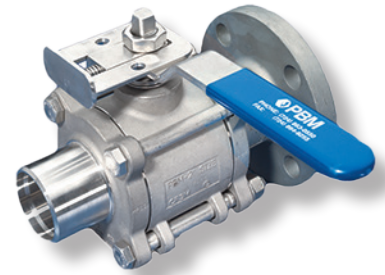
IMI PBM IGENIX® 2-WAY STEAM VALVE

SD Cast Series 9/Forged Series 8, ISO 1127, DN8 - DN50



DESIGN FEATURES:

- Unique Adjust-O-Seal® feature allows in-line valve adjustment to compensate for normal wear on valve seats
- **SD Series Steam valves have o-rings**
- Valves are a three-piece "swing-out" body design
- Upstream and downstream bubble-tight sealing capability allows valve body cleaning, purging, and draining
- Stem assembly accommodates IMI PBM Direct Mount Actuation for accurate alignment and increased cycling life
- Forged and cast valves are low-controlled ferrite
- True-Bore® (valve bore same as connecting tubing) – no puddling (Except DN8 & DN10)
- ASME BPE compliant
- USP Class VI elastomers and FDA compliant materials
- Valves are rated to full vacuum
- Material Test Report (MTRs) provided for wetted components
- Surface finishes are achieved without the use of ADIs (Animal Derived Ingredients)



SPECIFICATIONS	2-Way Valves
Sizes	DN8 - DN150 Series 9, DN15 - DN100 Series 8 (DN8 & DN10 in Series 8 is Ext. tube only)
Material	Low ferrite cast and forged 316L material. Castings (Series 9) comply with A351, Alloy CF3M and/or A479, Alloy S31603. Forgings (Series 8) comply with A182, Alloy F316L/1.4404 and/or A479, Alloy S31603. Also available are Hastelloy™, AL6XN™, others
End Connections	Extended tube, hygienic clamp, please refer to PB-CE89 for compression ends, others available
Seats & Seals	White V-TEF™ standard, others available
Filler / Seat Options	VTFE Cavity Fillers, V-TEF™, S-TEF®, UHMWPE Seats
O-rings	O-ring seal (FKM V1274-75, EPR E3609-70, others available)
Body Bolts & Nuts	Locking Lever, 2" Stem Extension, Oval Handwheel, Grounding
Maximum Working Pressure	See table below
Temperatures	up to 232°C depending on seat and seal material
Finish	Standard internal polish of 0.5µ-m Ra ID Series 8, 0.75µ-m Ra ID Series 9, other finishes available

CV Values (liters/minute), Series 8/Series 9	
Size	End Connections
	F-
DN 8	30
DN 10	69
DN 15	139
DN 20	279
DN 25	442
DN 32	736
DN 40	1,210
DN 50	2,325

Polish Options - Standard 0.75µ-m Ra ID, Series 9, 0.5 µ-m Ra ID, Series 8	
A* (Cast only)	0.5 µ-m Ra ID
D	0.375 µ-m Ra ID
E	0.25 µ-m Ra ID
F	0.50 µ-m Ra ID after EP
G	0.375 µ-m Ra ID after EP
H	0.25 µ-m Ra ID after EP
M	Electropolish

316L S/S Pressure Ratings at Ambient (BARG)		
SIZE	SERIES 8	SERIES 9
DN 8	41.37	62.05
DN 10	41.37	62.05
DN 15	41.37	62.05
DN 20	41.37	49.64
DN 25	41.37	49.64
DN 40	41.37	49.64
DN 50	41.37	49.64

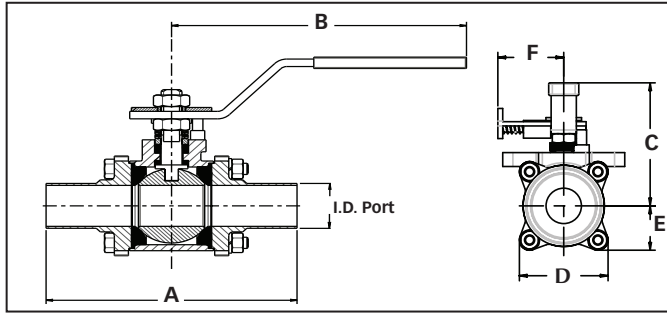
ISO 1127 Tube Weld End Dimensions		
DN8 = 13.5mm OD x 1.6mm Wall	DN10 = 17.2mm OD x 1.6mm Wall	DN15 = 21.3mm OD x 1.6mm Wall
DN20 = 26.9mm OD x 1.6mm Wall	DN25 = 33.7mm OD x 2mm Wall	DN32 = 42.4mm OD x 2mm Wall
DN40 = 48.3mm OD x 2mm Wall	DN50 = 60.3mm OD x 2mm Wall	

How To Order:

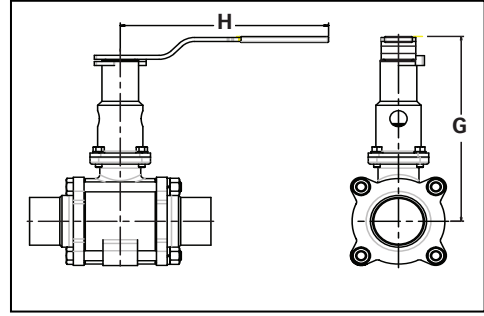
PRODUCT (1-2)	MATERIAL (3-4)	SIZE (5)	SERIES (6)	END CONN. (7-8)	SEAT & SEAL (9)	PURGES (10-11)	BALL & STEM (12)	OPERATOR (13-14)	POLISH (15-16)						
SD	HF	F316L Forged Low Ferrite F316L / DIN 1.4404	1	8	F - Ext. Butt-weld for Tube	G	V-TEF™ Seats / Seals FKM O-Rings	--	No Purge Port or Ball Option	-	Standard Ball and Stem	--	W/ Standard Lever Handle	-	0.75 µm ID (Std. Series 9)
			2	10		9	J	V-TEF™ Seats / Seals / VTFE Cav Fill / FKM O-Rings	- 8	Self Flushing Ball	F	Internal / External Grounding	02	W/O Handle W/ Stem Actuator Prep	A
	35	316L Cast Body, 1.4435 Weld Ends, Low Ferrite	3	15		Z	V-TEF™ Seats / Seals EPR O-Rings	- V	Slotted V-Ball	G	17-4PH Stem	04	Locking Lever Handle	D	0.375 µm ID
			4	20		- W	30° V-Ball	08	Gear Operator	E	0.25 µm ID				
			5	25		- X	45° V-Ball	18	Extended Handle (DN50)	F	0.50 µm ID after Electro Polish				
			6	32		- Y	60° V-Ball	71	Extended Handle (DN8 thru DN40)	G	0.375 µm ID after Electro Polish				
			7	40		H	S-TEF® Seats / Seals FKM O-Rings	Other Purge Port & Ball Options - Contact PBM		20	DA 80psig actuator	G	0.375 µm ID after Electro Polish		
			8	50		0	S-TEF® Seats / Seals EPR O-Rings	Other Seat/seal options available - contact PBM		27	DA 60psig actuator	H	0.25 µm ID after Electro Polish		
		9	V-TEF™ Seats / Seals FEP Encaps. FKM O-Rings			34	SR 80psig actuator								
								41	SR 60psig actuator						

IMI PBM Industrial 2-Way Steam Valve, Manual

2-Way Valve with Locking Handle



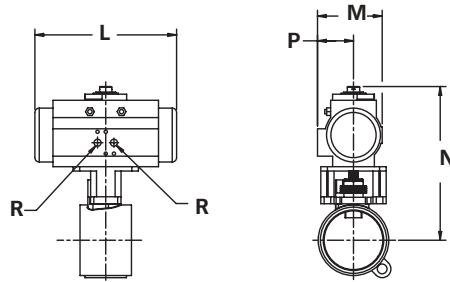
2-Way Valve with Extended Lockable Handle



Clean Steam Sanitary Dimensioned valves in mm									Locking Handle		Ext. Locking Handle		
Valve Size	Size Code	I.D. Port	A	B	C	D	E	Approx. Wgt (kg)	F	Hole Dia. for Lock	G	H	Hole Dia. for Lock
DN 8	1	10.3	139.7	101.6	52.1	38.1	19.1	0.5	39.4	7.1	101.6	129.3	7.9
DN 10	2	14.0	152.4	101.6	56.4	42.9	21.6	0.6	39.4	7.1	105.7	129.3	7.9
DN 15	3	18.1	165.1	105.4	76.2	55.4	27.7	1.3	41.1	6.4	138.2	129.3	7.9
DN 20	4	23.7	190.5	223.8	124.7	84.2	42.1	4.0	65.3	9.7	189.5	203.2	9.7
DN 25	5	29.7	190.5	223.8	124.7	84.2	42.1	4.0	65.3	9.7	189.5	203.2	9.7
DN 32	6	38.4	190.5	223.8	124.7	84.2	42.1	4.0	65.3	9.7	189.5	203.2	9.7
DN 40	7	44.3	203.2	204.0	118.6	109.2	54.6	7.1	65.3	9.7	196.6	203.2	9.7
DN 50	8	56.3	292.1	306.3	165.5	141.7	70.9	16.9	88.1	9.7	288.5	306.3	9.7

ACTUATED DIMENSIONS

Unit of Measure = mm
Dimensions based on actuators used with V-TEF™ seats.



80 PSI Spring Return						60 PSI Spring Return					60, 80 PSI Double Acting					Manual Valves with Tube Ends when used with insulation		
Size	L	M	N	P	R	L	M	N	P	R	L	M	N	P	R	Tube OD	Insulation max with no extension	Insulation max with extension
DN 8	141.0	70.9	138.4	40.9	1/8" NPT	164.1	80.5	149.9	45.0	1/8" NPT	141.0	70.9	138.4	40.9	1/8" NPT	12.7	19.3	68.1
DN 10	141.0	70.9	142.0	40.9	1/8" NPT	164.1	80.5	153.4	45.0	1/8" NPT	141.0	70.9	142.0	40.9	1/8" NPT	19.1	20.1	69.1
DN 15	164.1	80.5	165.4	45.0	1/8" NPT	210.1	94.5	183.4	52.6	1/8" NPT	141.0	70.9	153.9	40.9	1/8" NPT	25.4	36.8	98.6
DN 20	240.8	105.9	245.1	58.4	1/8" NPT	275.1	122.9	257.9	68.1	1/4" NPT	210.1	94.5	231.1	52.6	1/8" NPT	38.1	78.7	141.5
DN 25	240.8	105.9	245.1	58.4	1/8" NPT	275.1	122.9	257.9	68.1	1/4" NPT	210.1	94.5	231.1	52.6	1/8" NPT	50.8	58.7	142.2
DN 32	240.8	105.9	245.1	58.4	1/8" NPT	275.1	122.9	257.9	68.1	1/4" NPT	210.1	94.5	231.1	52.6	1/8" NPT	63.5	101.6	225.6
DN 40	275.1	122.9	265.4	68.1	1/4" NPT	333.0	136.9	299.7	72.9	1/4" NPT	210.1	94.5	238.5	52.6	1/8" NPT	76.2	103.6	225.6
DN 50	333.0	136.9	342.4	72.9	1/4" NPT	372.1	148.1	354.6	80.0	1/4" NPT	333.0	136.9	342.4	72.9	1/8" NPT	101.6	110.5	231.6

www.PBMValve.com

PBM, Inc. • 1070 Sandy Hill Road, Irwin, PA 15642

Phone: 800.967.4PBM • 724.863.0550

E-mail: info.pbmvalve@imi-critical.com

