

IMI PBM TRANSMITTER ISOLATION VALVES

TI Series, 1" x 3", 1" x 2", 2-1/2" x 3" Flanges



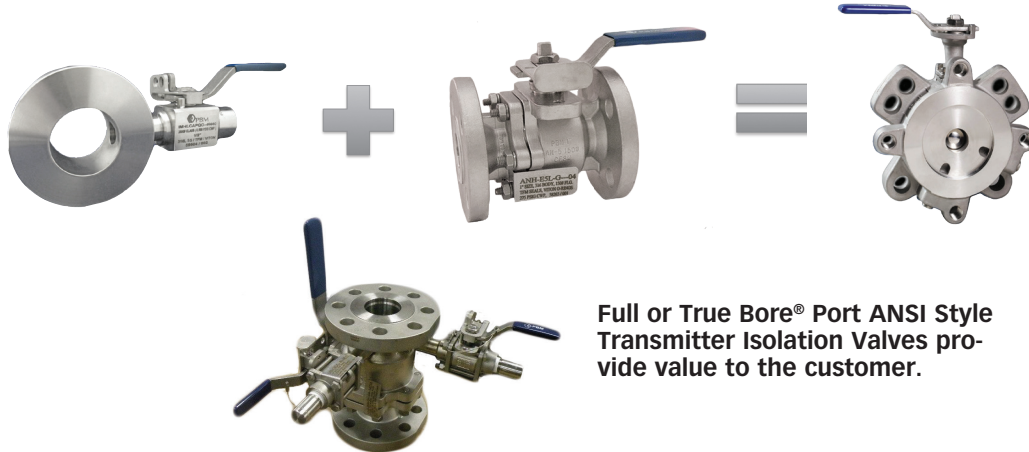
DESIGN FEATURES:

- TIV valves feature minimal dead space which prevents build-up
- **TI Series valves DO NOT have o-rings.**
- Available in 150#, 300#, & other sizes & pressure rating available
- Purge ports and optional milled flats enable CIP and drainage without process interruption.
- Bolt pattern accommodates standard industry ANSI 150# & 300# flanged connections and retrofits to knife gate patterns.
- Hardware configuration allows separate bolting of valve to tank and transmitter to valve as an additional safety measure for hazardous media.
- Calibration port, CIP ports and locking handle standard
- Valves are design to ASME B16.34



| SPECIFICATIONS | Transmitter Isolation Valves |
|--------------------------|---|
| Sizes | 1" port x 3" flanges, 1" port x 2" flanges, 2-1/2" port x 3" flanges |
| Material | 316/317L Stainless Steel, Hastelloy™ C-276, C22®, Titanium, or others |
| Temperatures | Ambient to 450°F depending on material |
| Purge/Bleed Port Size | (4) 1/4" FNPT plugged purge ports with hex head plugs |
| Seats & Seals | V-TEF™ seats with VTFE o-rings, S-TEF® with teflon encapsulated o-rings |
| Stem Packing Material | V-TEF™, S-TEF® |
| Body Bolts & Nuts | 18-8 Stainless Steel |
| Maximum Working Pressure | Maximum CWP depending on flange rating and valve material of construction |

BEST TRANSMITTER ISOLATION TECHNOLOGY



Full or True Bore® Port ANSI Style Transmitter Isolation Valves provide value to the customer.

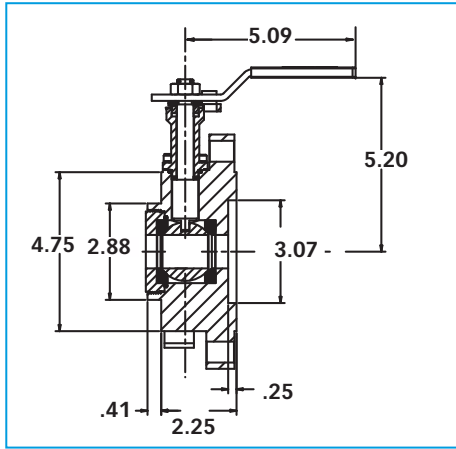
How To Order:

| PRODUCT (1-2) | SIZE (5) | CLASS | TYPE | SEAT/ SEAL/ | PURGE | BALL FLAT | BALL/STEM OPTION | LOCKING | | | | | | | | | | | |
|----------------|------------|------------------|-----------|-------------|------------|--------------|------------------|-----------------|---------------|---------------------------|---------------|---|--|---|-------------------------------|----|---------------------------------------|----|--------------------------|
| MATERIAL (3-4) | SERIES (6) | OF END | OF END | O-RING (10) | PORTS (10) | OPTIONS (11) | (12) | HANDLES (13-14) | | | | | | | | | | | |
| | | CONN. (7) | CONN. (8) | | | | | | | | | | | | | | | | |
| TI | H- | 316 Stainless | E | 1" | 5 | L | 150# Flange | - | 3 inch Flange | G | V-TEF™ / VTFE | - | Qty. 4, 1/4" Plugged Purge Ports w/ Hex Head Plugs | - | Standard (no options) | - | Standard (316/316L S/S Ball and Stem) | -- | W/ Standard Lever Handle |
| | H2 | 317L Stainless | J | 2-1/2" | M | 300# Flange | H | 2 inch Flange | H | S-TEF® / FEP Encapsulated | - | A | Flats closed downstream | F | Internal / external grounding | 07 | 45° Lever Handle | | |
| | C | Hastelloy® C-276 | | | | | | | | | | B | Flats closed upstream | G | 17-4PH stem | | | | |
| | Y- | Hastelloy® C-22 | | | | | | | | | | C | Flats open upstream | | | | | | |
| | T- | Gr. 5 Titanium | | | | | | | | | | D | Flats open downstream | | | | | | |
| | HC | Alloy 20 | | | | | | | | | | E | Flats open upstream & downstream | | | | | | |

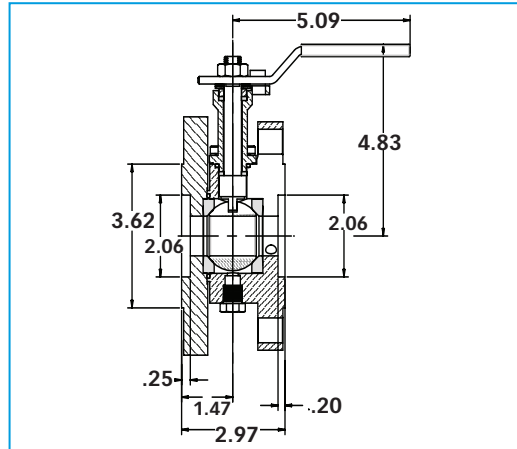
<http://pbmvalve.com/build-a-part-number>

IMI PBM Transmitter Isolation Valves

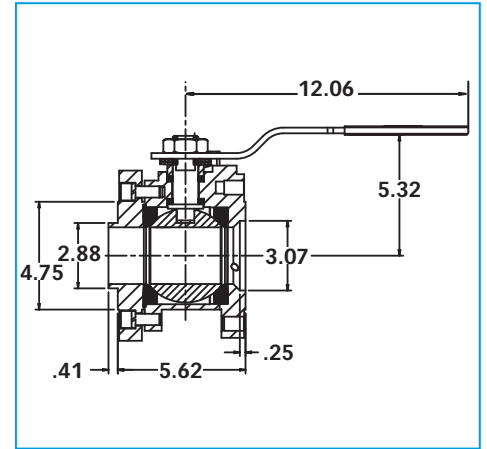
1" Port x 3" 150# Flanged TIV



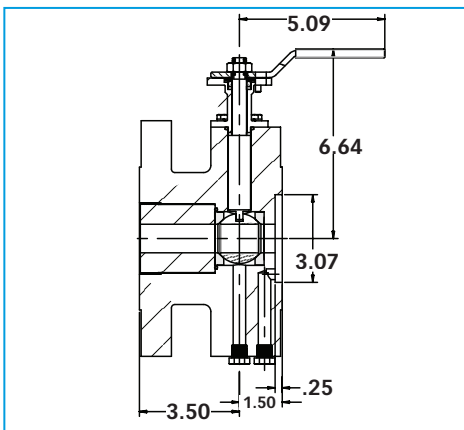
1" Port x 2" 150# Flanged TIV



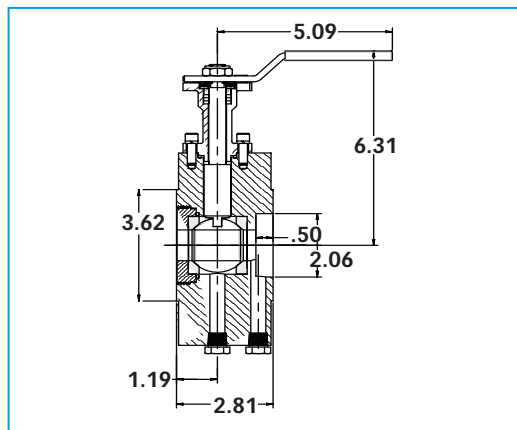
2-1/2" Port X 3" Flanged TIV



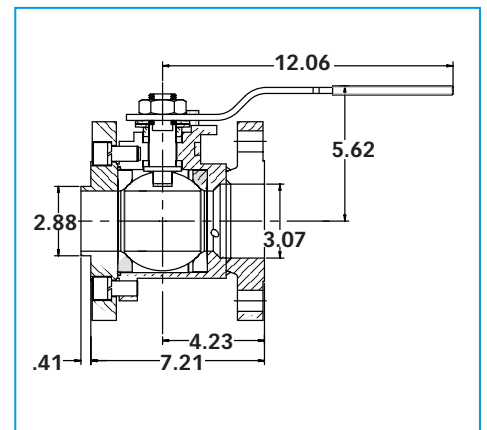
1" Port x 3" 300# Flanged TIV



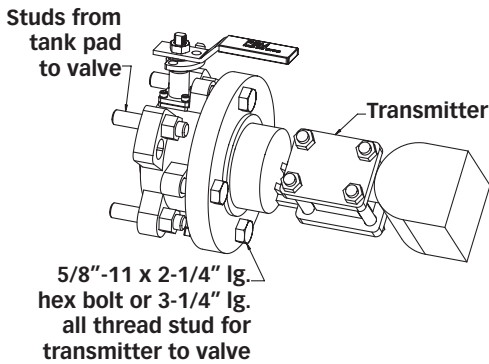
1" Port x 2" 300# Flanged TIV



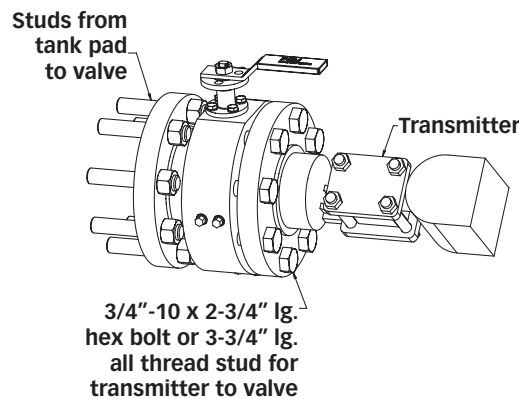
2-1/2" Port X 3" 300# Flanged TIV



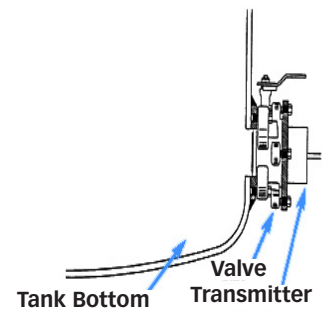
1" Port x 3" 150# Flanged TIV



2-1/2" Port X 3" Flanged TIV



Tank View



www.PBMValve.com

PBM, Inc. • 1070 Sandy Hill Road, Irwin, PA 15642

Phone: 800.967.4PBM • 724.863.0550

E-mail: info.pbmvalve@imi-critical.com



© Copyright 2020 PBM, Inc. PB-TI