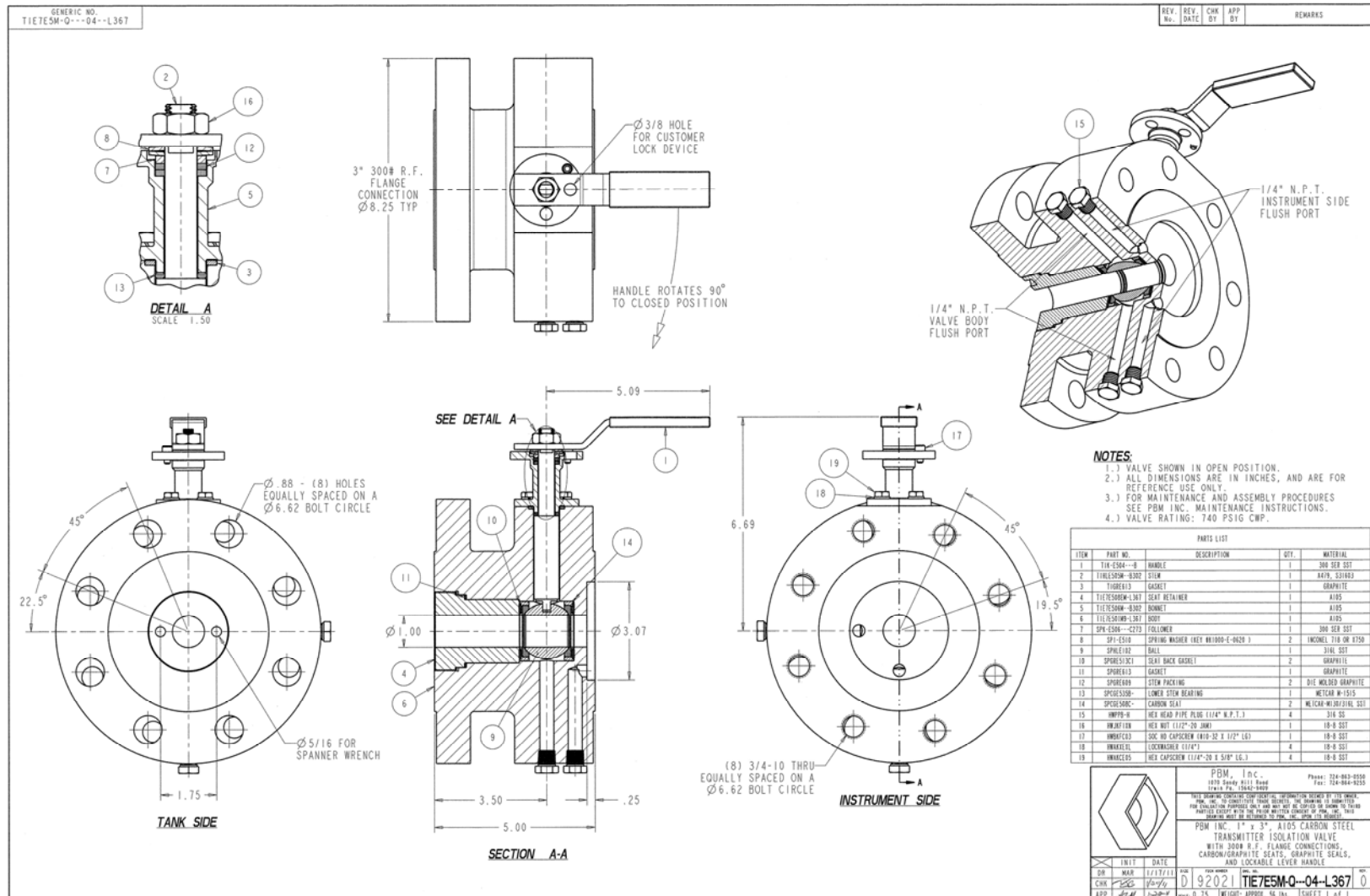


Industry: Refining
Product: Transmitter Isolation Valve
Media/Purpose: Isolation of Electronic Transmitters



Application Brief: A major Northwestern US refinery producing various grades of gasoline, jet fuel, and diesel fuel required quality and dependable valves for isolation of electronic transmitters (differential pressure). PBM supplied it's Transmitter Isolation valves rated to ANSI Class 300# and 600# with carbon-graphite seats for higher temperature applications to 650°F and with TFM seats for lower temperature applications between 150°F to 325°F.

APPL 0111-61