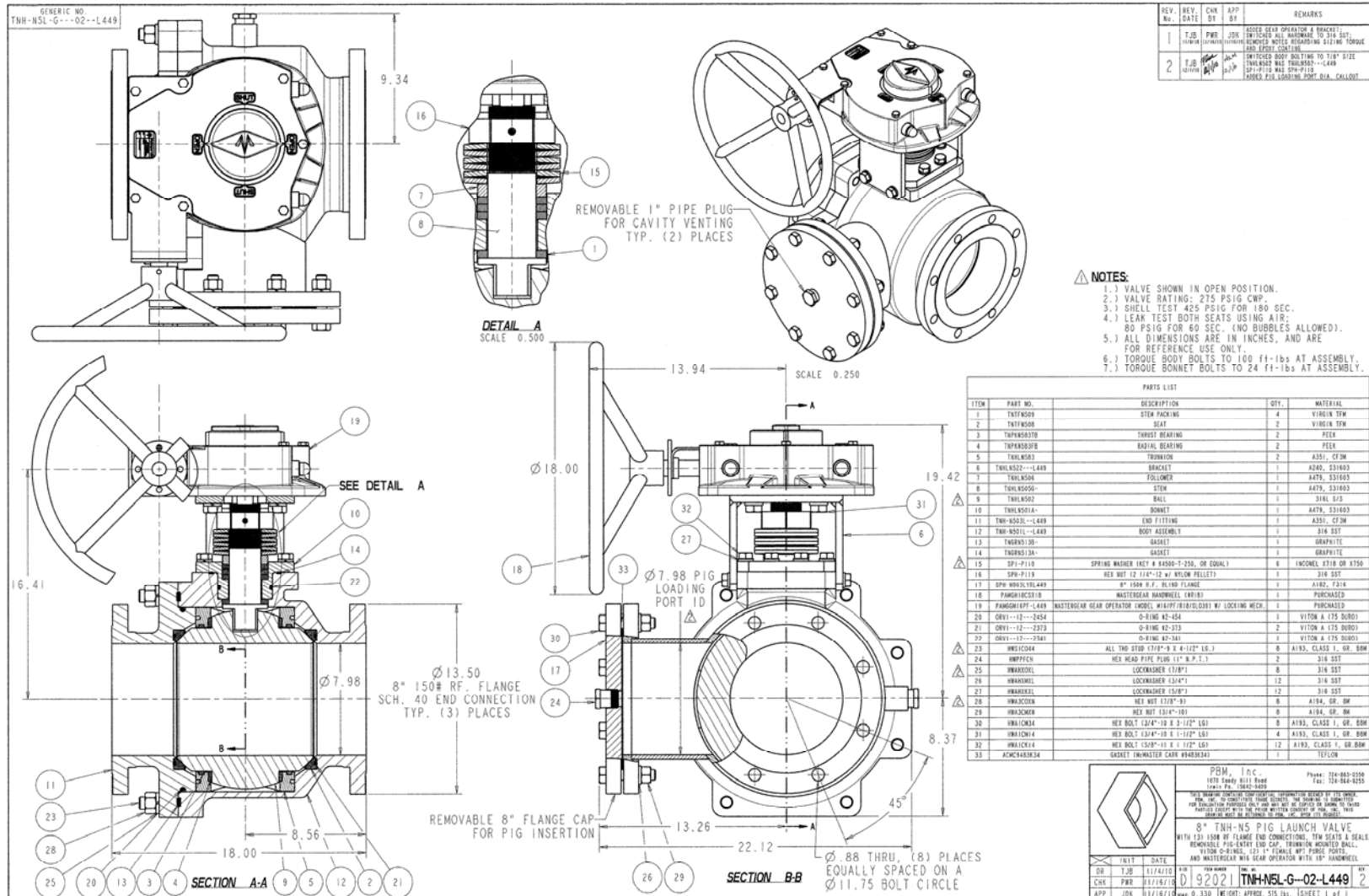


Industry: Marine
Product: Pigging Valve
Media: 8" Seawater Recirculation Line



Application Brief: The valve is on an 8" sea water recirculation line which feeds several very large aquariums within a Newfoundland research facility. Each quarter they will pig these lines to remove salt scale and mineral deposits which forms on the walls of the pipe. Our valve is used for the launching and receiving of the pig. Other pig valve manufactures were unable to supply a 316L stainless valve and within the timeframe of the project schedule. PBM stepped up and not only designed but delivered this valve in a 10 week timeframe.

APPL 0411-62