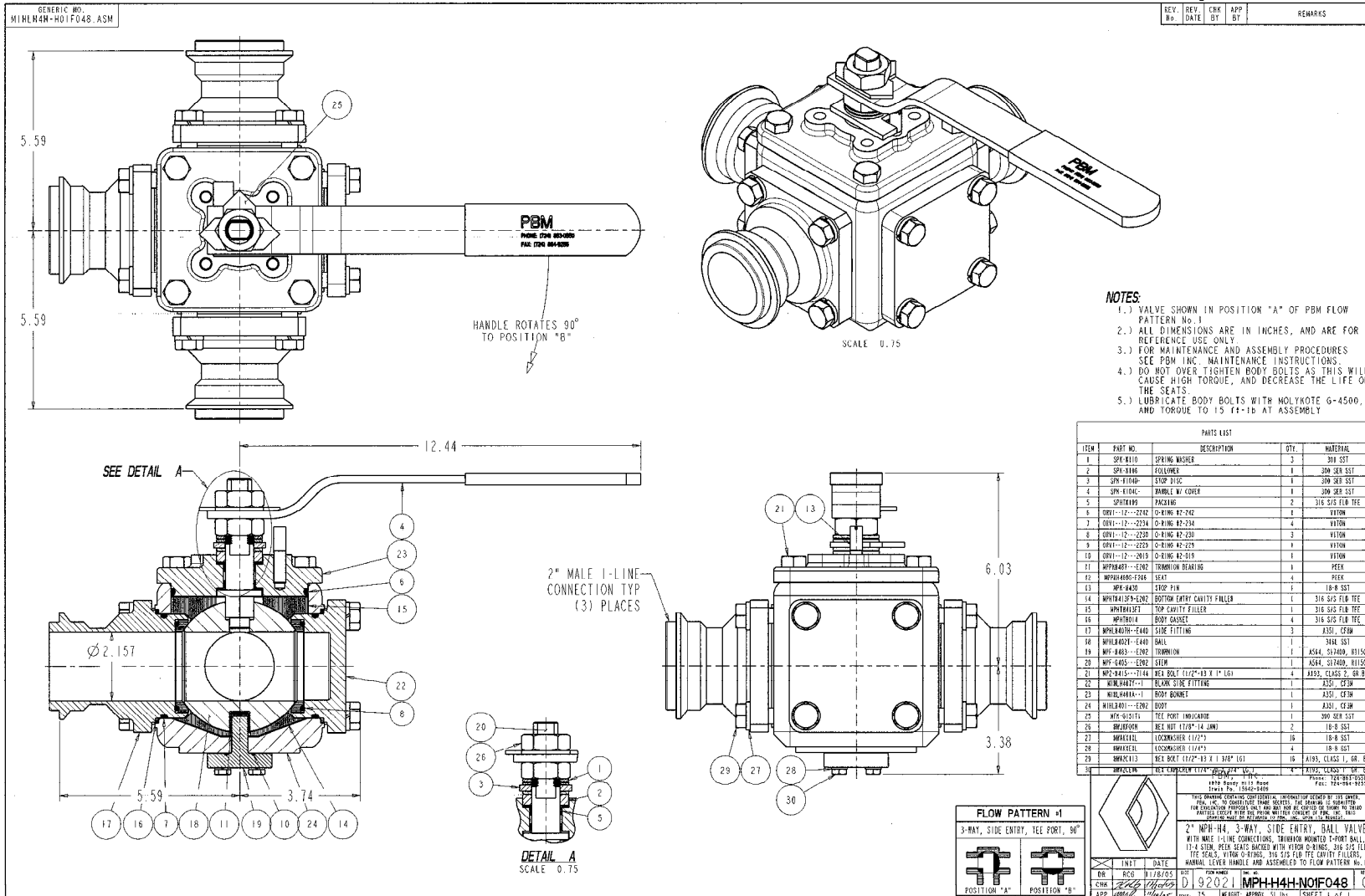


Industry: Food - Animal feed stock
Product: 2" 3-way 316 stainless steel trunnion-mounted Multi-port ball valve
Media: Hydrated grain meal slurry



Application Brief: A major mid-west animal feed producer required a 2" 3-way T-ported valve with male I-line end connections to handle hydrated grain meal slurry at 1000 psi and 300 F. PBM supplied a true multi-port valve with PEEK seats and S-tef™ (316 stainless steel filled PTFE) body cavity fillers to handle the sanitary high pressure media. In addition, a trunnion mounted ball was used to accommodate the high pressure.

APPL 0506-31