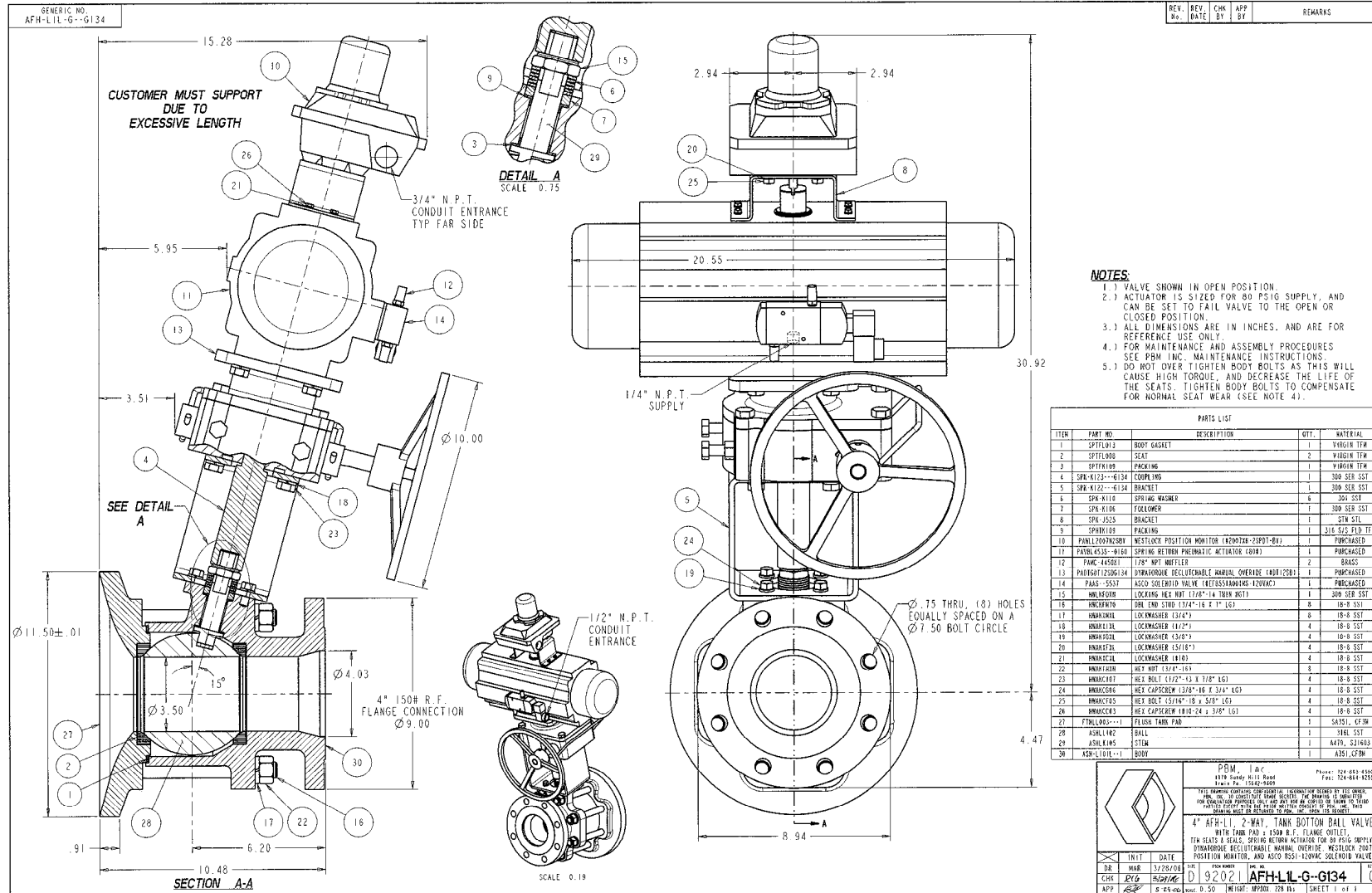


Industry: Chemical
Product: 4" Angle stem flush tank ball valve with declutchable manual override
Media: Commercial roof coating



NOTES:

- 1.) VALVE SHOWN IN OPEN POSITION.
- 2.) ACTUATOR IS SIZED FOR 80 PSIG SUPPLY, AND CAN BE SET TO FAIL VALVE TO THE OPEN OR CLOSED POSITION.
- 3.) ALL DIMENSIONS ARE IN INCHES, AND ARE FOR REFERENCE USE ONLY.
- 4.) FOR MAINTENANCE AND ASSEMBLY PROCEDURES SEE PBM INC. MAINTENANCE INSTRUCTIONS.
- 5.) DO NOT OVER TIGHTEN BODY BOLTS AS THIS WILL CAUSE HIGH TORQUE, AND DECREASE THE LIFE OF THE SEATS. TIGHTEN BODY BOLTS TO COMPENSATE FOR NORMAL SEAT WEAR (SEE NOTE 4).

Application Brief: A major southern US manufacturer of roof coatings was looking for a valve to drain a temperature controlled process vessel. PBM supplied a 4 inch angle stem flush tank ball valve that allowed the automation package to clear the process vessel's heating and cooling jackets. Special seating material was used to accommodate the process media. A manual declutchable override was installed in the unlikely event the valve had to be operated by hand.

APPL 0506-32