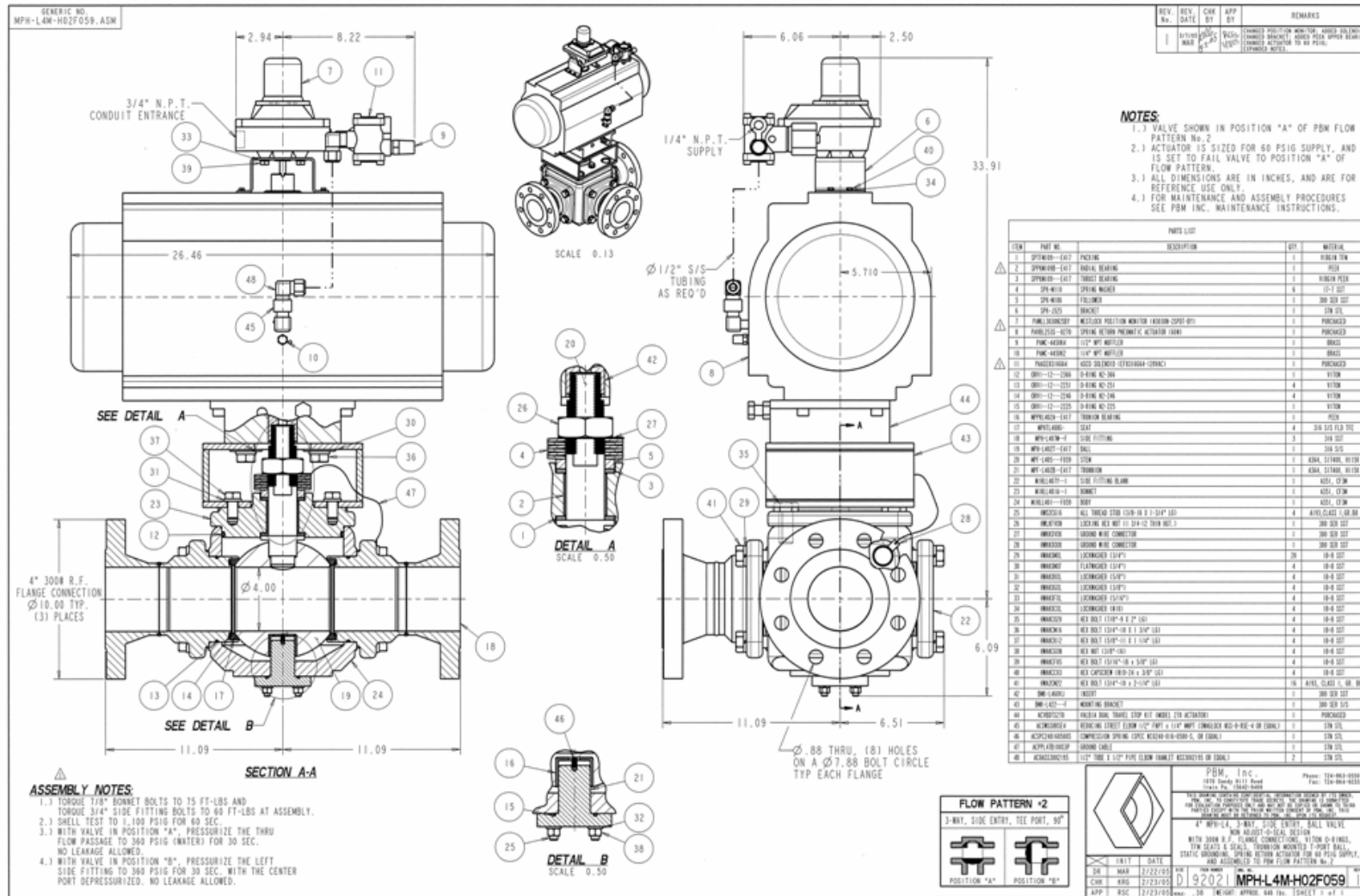


**Industry:** Power  
**Product:** Automated Multi-ported ball valves  
**Media:** Turbine oil



www.pbmvalve.com



**Application Brief:** A mid-west US Power plant replaced a problematic plug valve with an automated PBM 4-inch multi-port ball valve. The application is diversion of turbine oil in the event of a turbine trip. The oil is at near 200°F and about 200 psig. This PBM multi-port incorporated a ball supported by a trunnion with PEEK bearings resulting in minimal forces, thus allowing the soft valve seats to remain intact.

APPL 0508-35