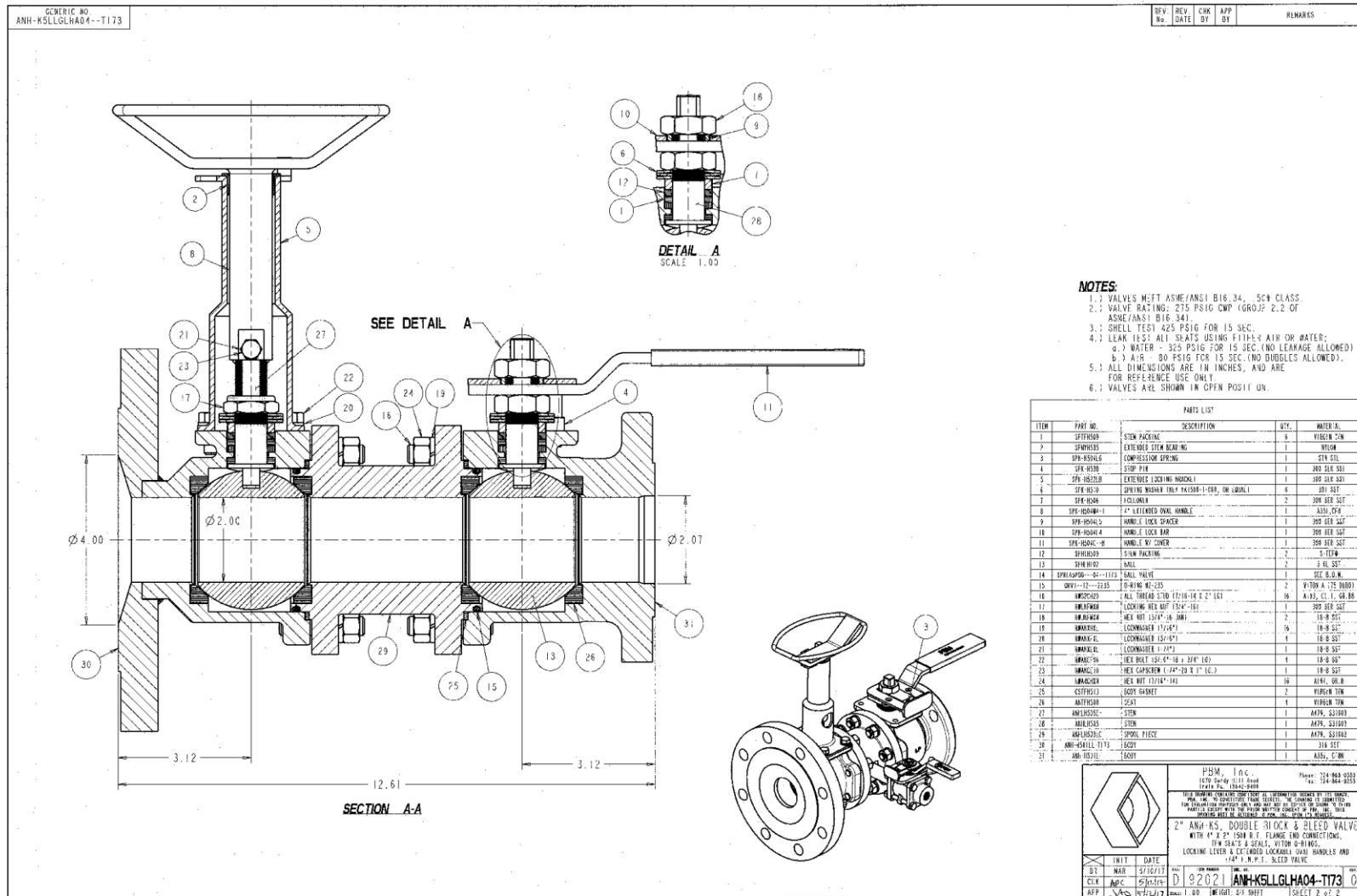


**Industry: Chemical & Resin Manufacturing**  
**Product: 2" Double Block & Bleed**  
**Media: DBB isolation of Resin intermediates**



**Application Brief:** A major International Chemical company required a double block and bleed valve to isolate level instrumentation on a process vessel. The vessel contained harmful vapors so operational safety was a top priority. PBM was able to provide a full bore 2-inch valve and adapt to an existing 8-inch flange on the process vessel while meeting a tight delivery schedule.

APPL 0517-115