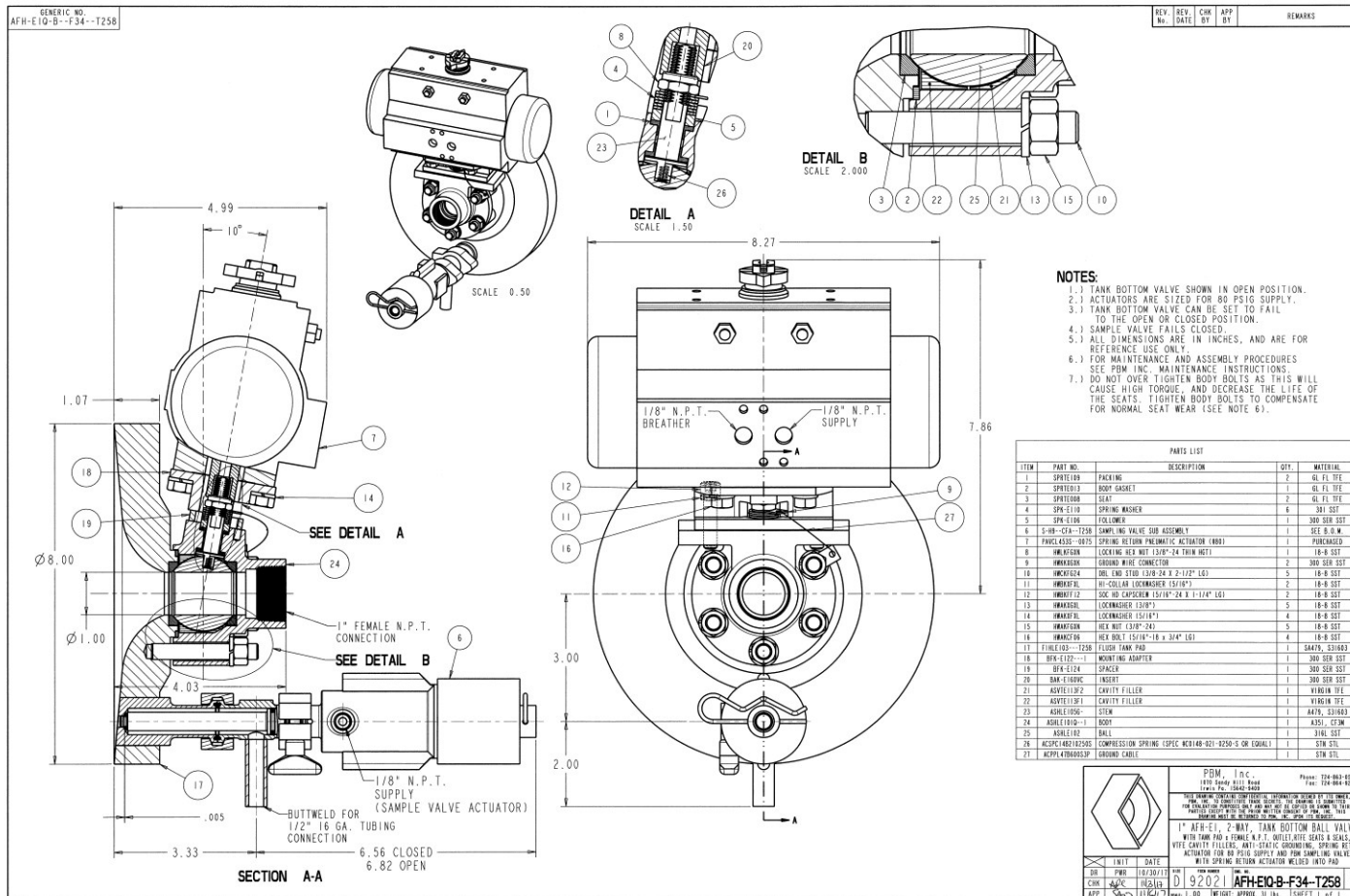


Industry: Chemical
Product: Flush Tank
Media: Composite Ingredients



Application Brief: Major international composites manufacturer needed to accurately bleed off premixed ingredients from a small conical pre-mix weigh tank prior to adding the ingredients into the final product mix tank. They had been using an automated tank mounted weir style diaphragm valve with a purge/drain port on the inlet, isolated by another 2-way weir style diaphragm valve. They faced contamination and clogging issues because of the long SS tube dead leg created by porting to the inlet side of the tank valve. They also wanted to automate the bleed valve, which would be difficult to control using their current valve setup. PBM Created a larger diameter flush tank pad that could accept integral mounting of an automated, flush mounted PBM S2 Sample valve which would be used to bleed product off, as required. This configuration could be welded into the bottom of their new conical tanks without requiring additional outlets or tank connections. This configuration reduced the dead space created by the customer's original valve selection and also provided a way to accurately bleed off product prior to dumping the contents into the final product mix tank.