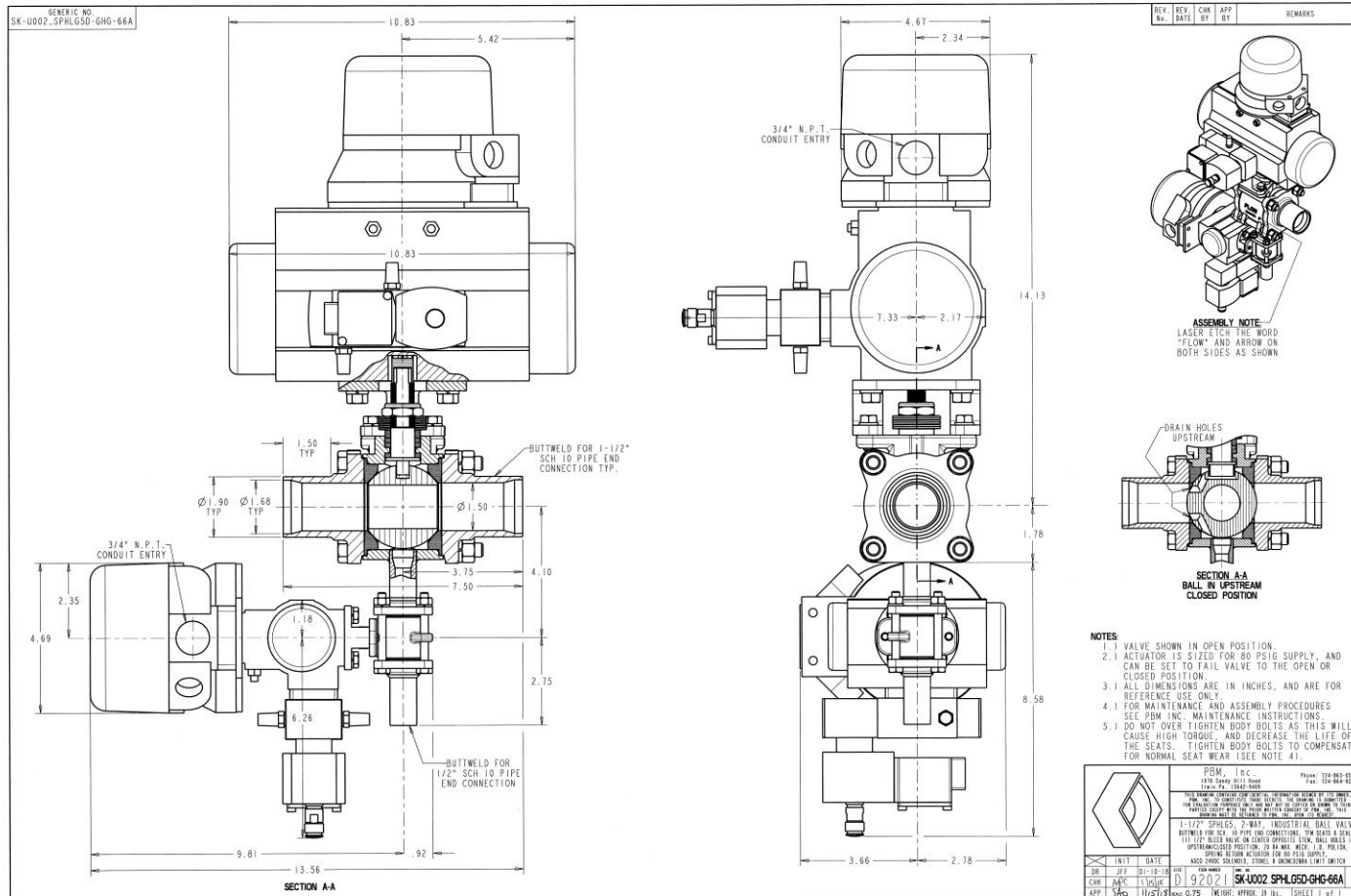


**Industry: Pharmaceutical**  
**Product: Clean Steam Trap Valve**  
**Media: Purified Water System**



**Application Brief:** Engineering firm working for Major Midwest manufacture of pharmaceuticals was looking for a unique solution in a purified water system. They wanted to have their purified water ready at their point of use without deadheading the system (when shut off) which would cause the water to become stagnant, increasing the chances of microbial growth within their process. PBM suggested applying our PBM Clean Steam Trap Valve which allows a small amount of flow to flow around the upstream seat to the drain, while maintaining shut off at the downstream seat. The drain valve is opened at this point, and closes to insure the system is completely closed off to atmosphere when the system is flowing purified water to their point of use.