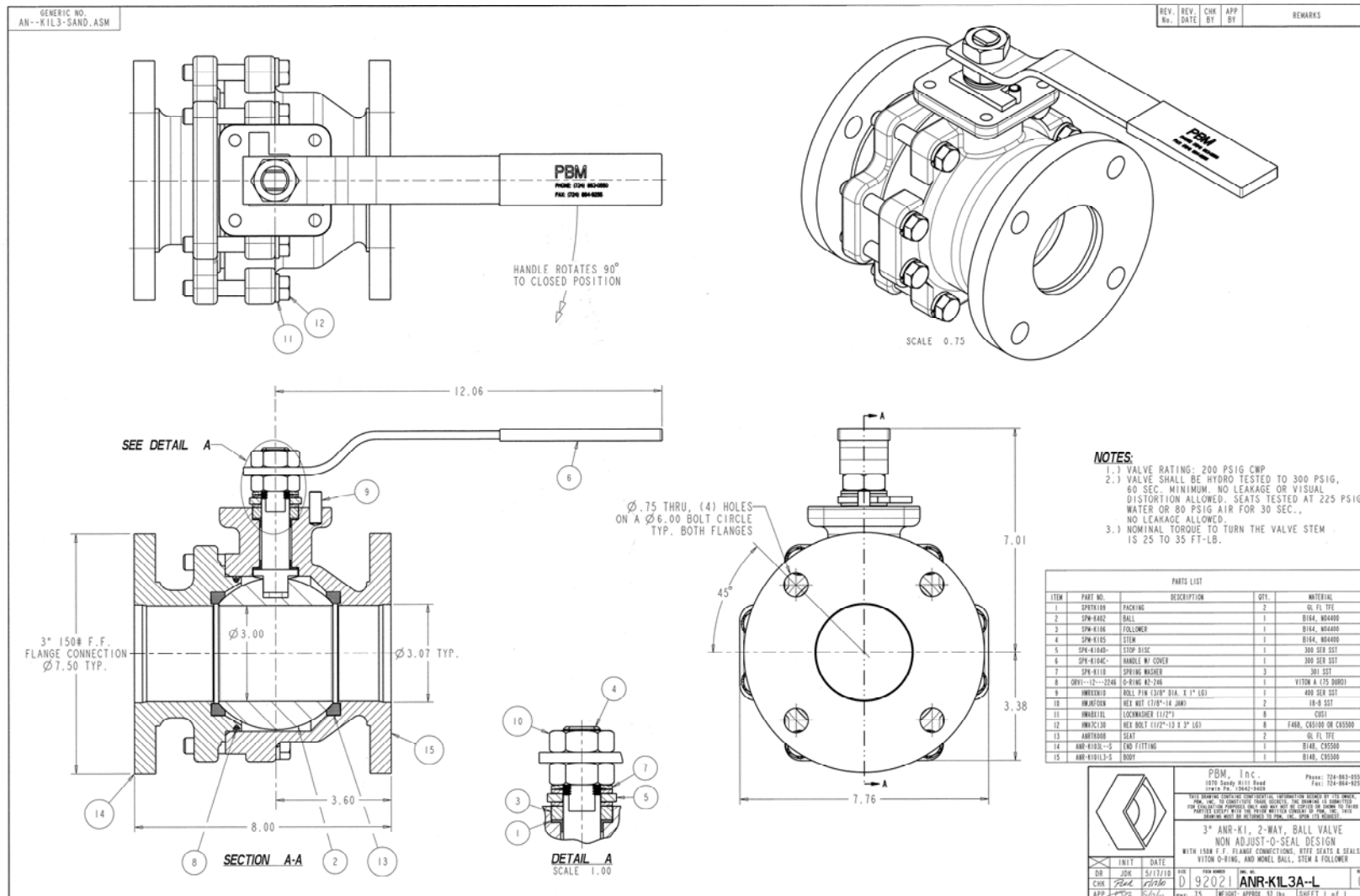


**Industry:** Marine  
**Product:** ANSI  
**Media:** Seawater, cooling of engines



**Application Brief:** Valve is used in a marine application. The Coast Guard has designed a new, standard 45' Response Boat - Medium to replace an assortment of boats at all coast guard stations that require this size of boat. Two valves were required to divert water from the sea chest to cool the engines and is then returned to the ocean. The valves also needed to be usable with seawater.

APPL 0610-48