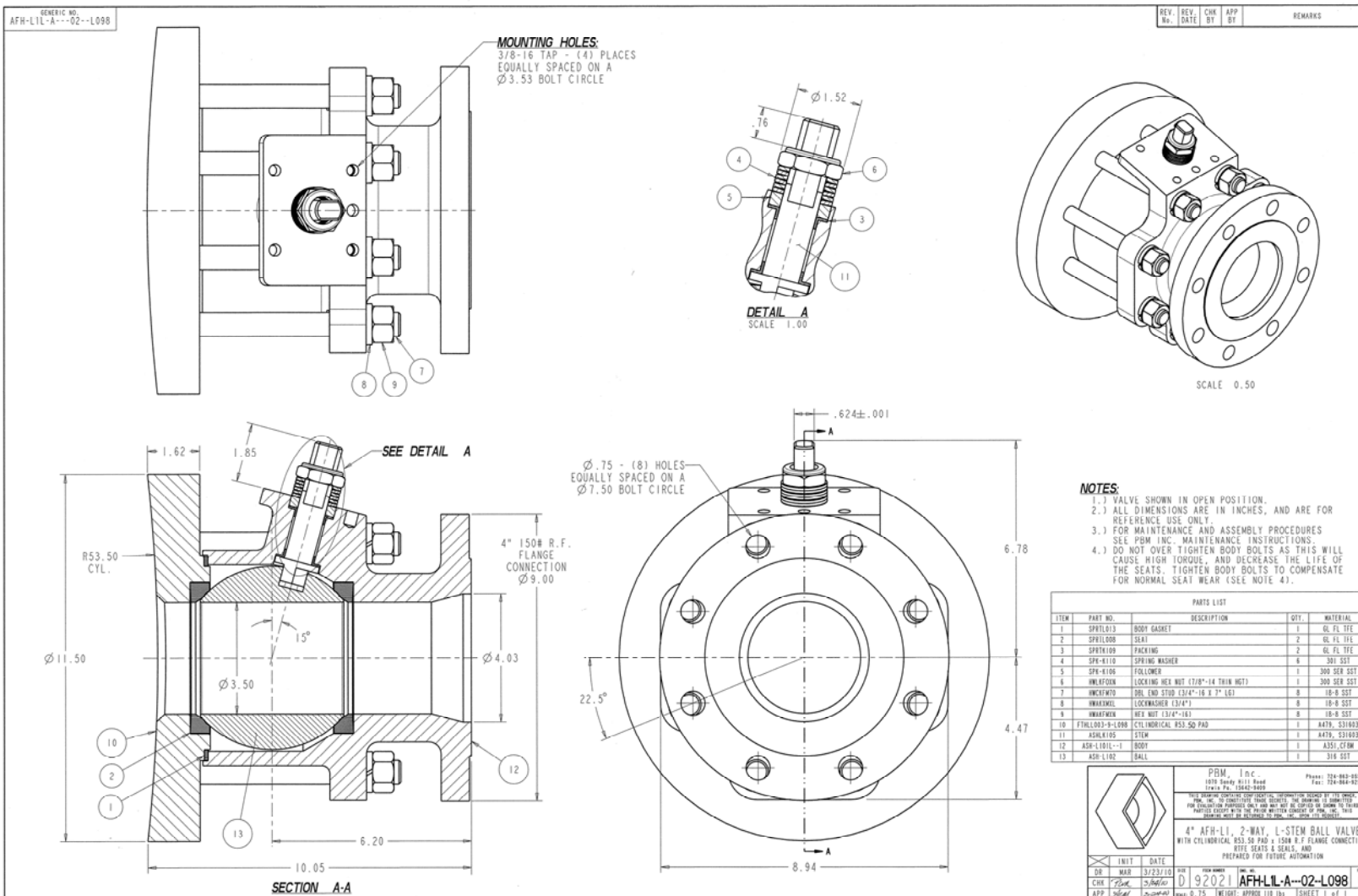


Industry: Chemical
Product: PBM Angle Stem Flush Tank Valve
Media: Solvent



Application Brief: Special Cylindrical radius pad to mount on a tank used for solvent distillation, solvent recovery, solvent recycling systems, and Effluent Decontamination Systems. Different cylindrical radius pads are used based on the size of the tanks that are fabricated.

APPL 06-48