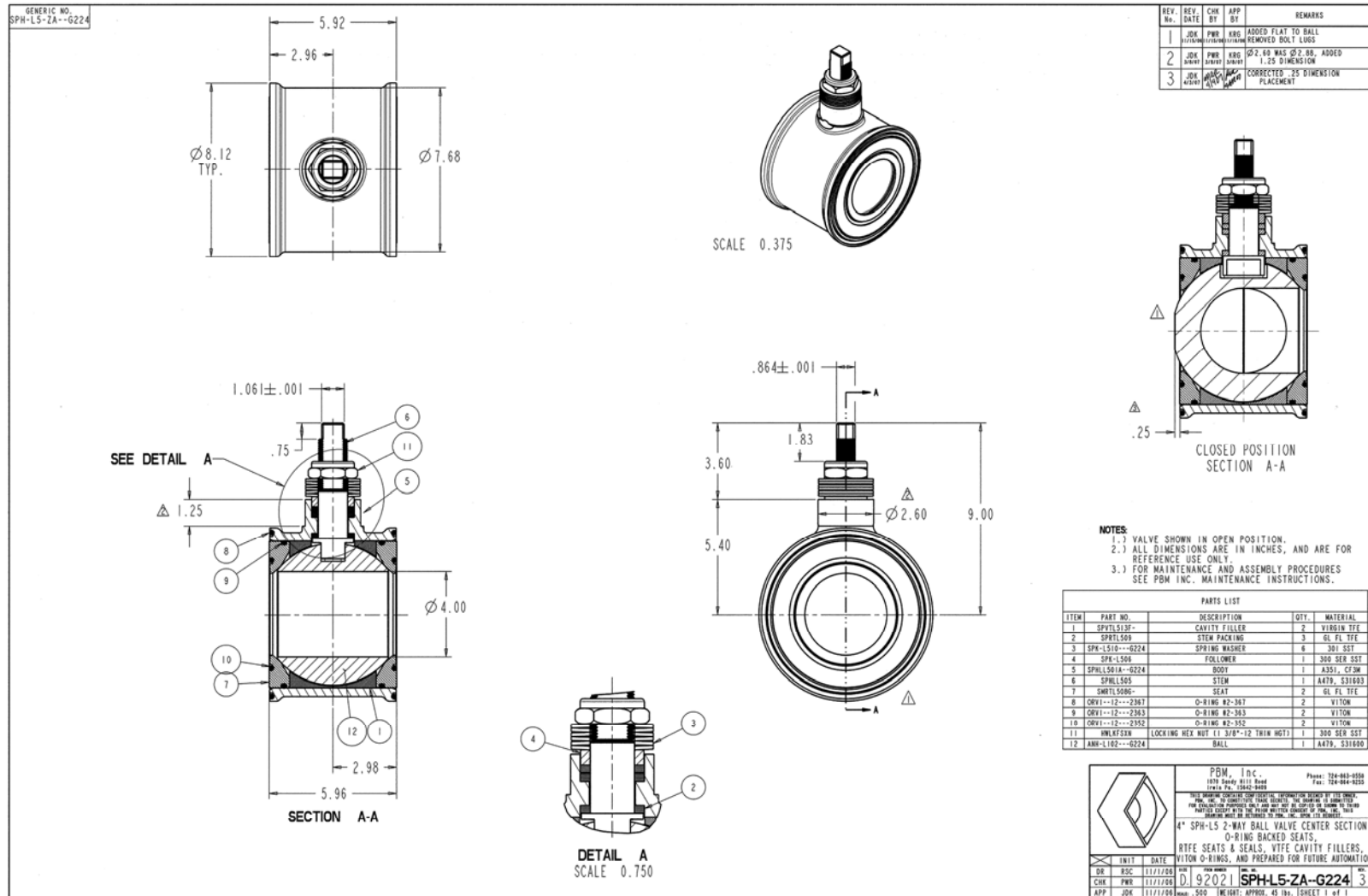


Industry: Energy  
 Product: PBM Center Sections  
 Media: Rocket Fuel



Application Brief: Baker Perkins center sections to replace obsolete Contramatic valves by using PBM product placed between Contramatic ends.

APPL 0610-51