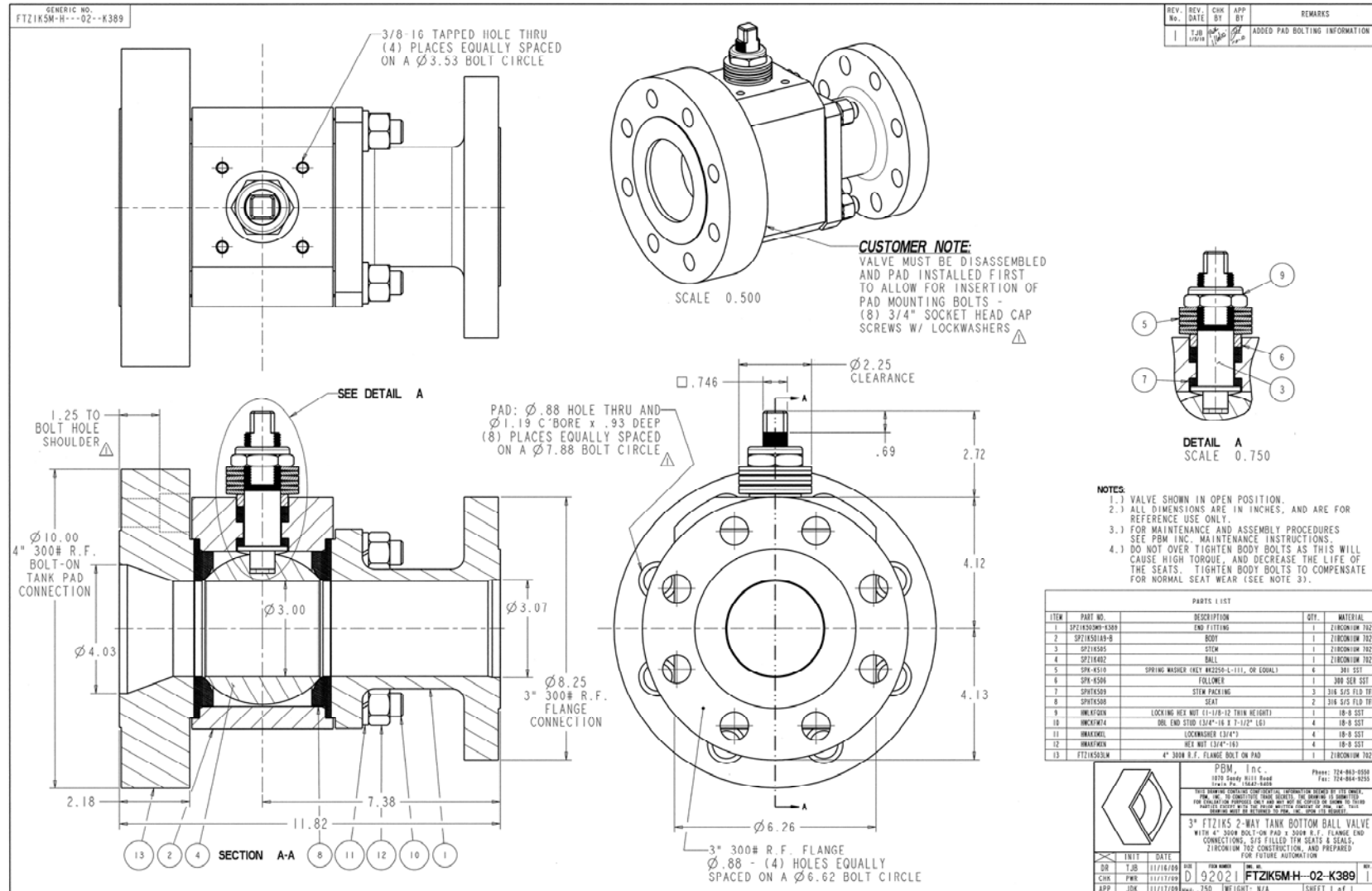


**Industry: Agricultural Chemical Process**  
**Product: PBM Tank Bottom Valve**  
**Media: Zirconium**



**Application Brief:** We needed to use zirconium for a specific chemistry in a customer's agricultural chemical process. This vessel will have the general condition of high pH and high temperature. The nature of the process had been developed by the customer over time at another location and we were told that zirconium was the definitive choice.

APPL 06-52