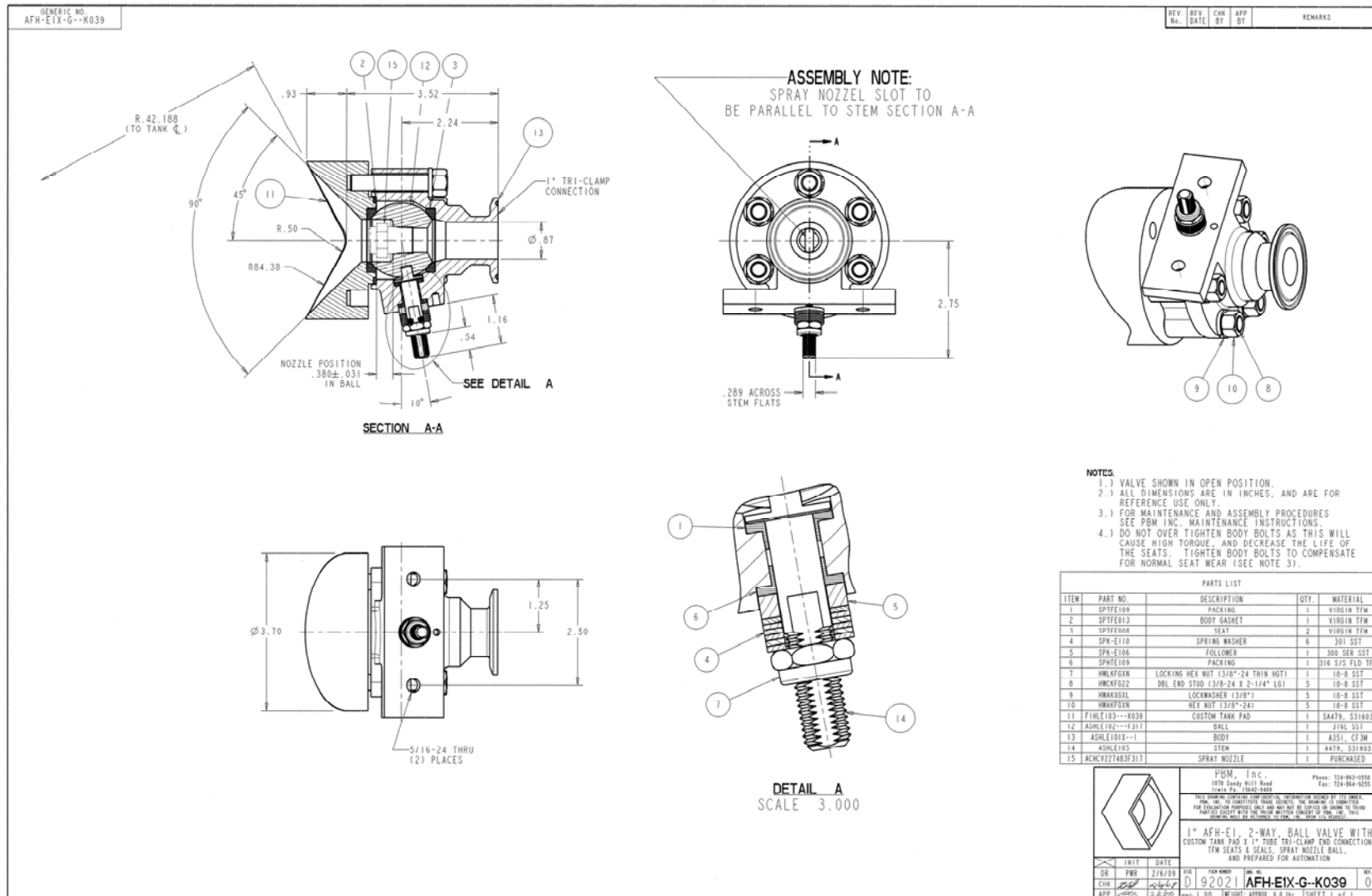


Industry: Consumer Products
Product: Sanitary Angle Stem Flush Tank
Media: Beauty and Personal Care Products



www.pbmvalve.com



Application Brief: A large manufacturer of beauty care and other personal care **products** uses angle stem valves with spray nozzle balls and knuckle radius pads in their process application of mixing tanks for the cleaning of the under side of the mixing blades - valves are mounted at a height on the side of tank to accommodate cleaning.

APPL 0610-53