

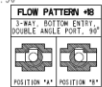
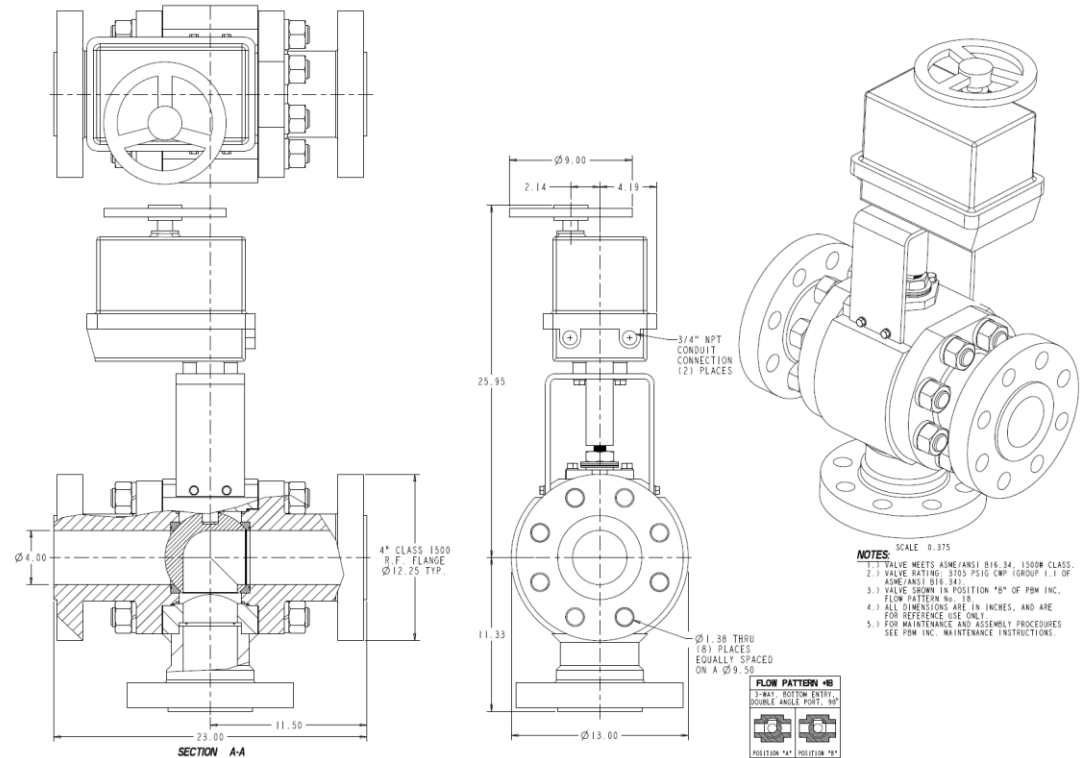
**Industry: Oil Production**  
**Product: Diverter Port Ball Valve**  
**Media: Oil, Gas, and Water**



[www.pbmvalve.com](http://www.pbmvalve.com)

**Application Brief:**

- Problems:
  - Space to efficiently configure piping to either the production or test header.
  - Automation of old manual systems.
  - Control system complexity to synchronize two automated 2-way valves
  - Inherent problems of horizontally mounting electric actuators (cantilever loads on the valve, water egress into unit)
- PBM Product – 3-way, Diverter Port, bottom entry valve allows for well pipe to enter into the bottom of the valve (instead of the traditional side entry) and then flow to either a production header in one direction or a test header in the opposite direction.
  - Available in Class 150, through 1500
- Advantages of the PBM solution
  - Bottom entry allows well pipe coming out of the ground to enter vertically into the valve to optimize space utilization and piping configuration.
  - System automation.
  - Top mounted electric actuator optimizes space and eliminates horizontal mount issues such as water egress, cantilever loads on the valve stem and packing, etc.
  - Cost improvement – one automated 3-way valve eliminates two 2-way automated block valves.
  - Control scheme simplicity – automating one 3-way valve is much simpler than synchronizing the automation of two 2-way block valves.
  - US Manufactured product
  - Automation: Electric or Pneumatic, 90 or 180-degree operation available



**NOTES:**  
 SCALE 0.375  
 1. VALVE MEETS ASME/ANSI B16.34, 1500W CLASS.  
 2. VALVE RATING: 3150 PSIG CW/1500W 1.1 OF ASME/ANSI B16.34.  
 3. VALVE SHOWN IN POSITION #2 OF PBM INC. FLOW PATTERN #4-18.  
 4. ALL DIMENSIONS ARE IN INCHES, AND ARE FOR REFERENCE USE ONLY.  
 5. FOR MAINTENANCE AND ASSEMBLY PROCEDURES SEE PBM INC. MAINTENANCE INSTRUCTIONS.

0613-101