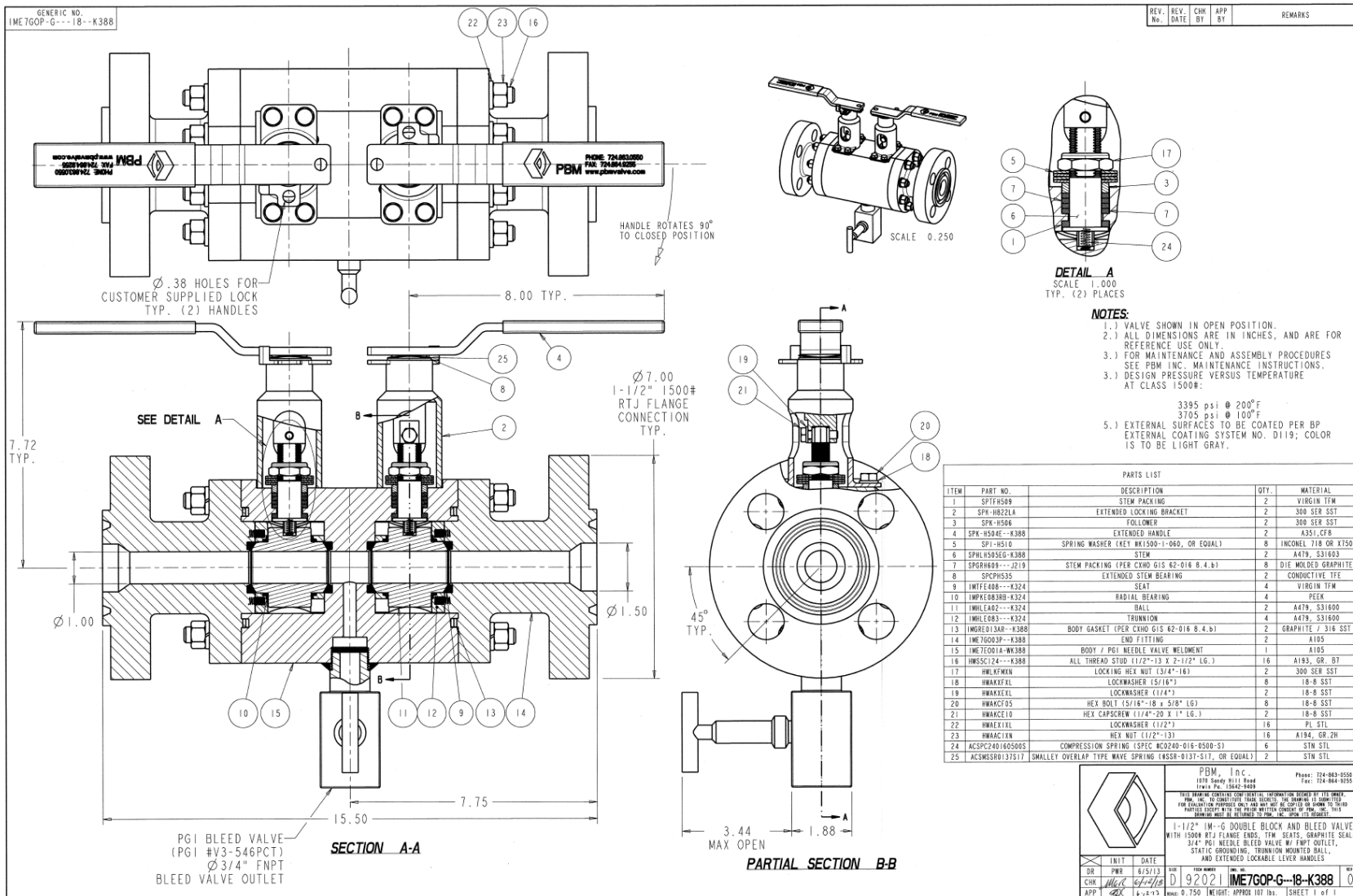


Industry: Refinery
Product: 1½-inch 1500# Class Double Block & Bleed Instrument Valve
Media: Gases and Hydrocarbons



Application Brief: A major petroleum company selected PBM double block and bleed valves for their safety and reliability, tight shut-off for isolating instrumentation on their Gas Oil Hydrotreater Units.