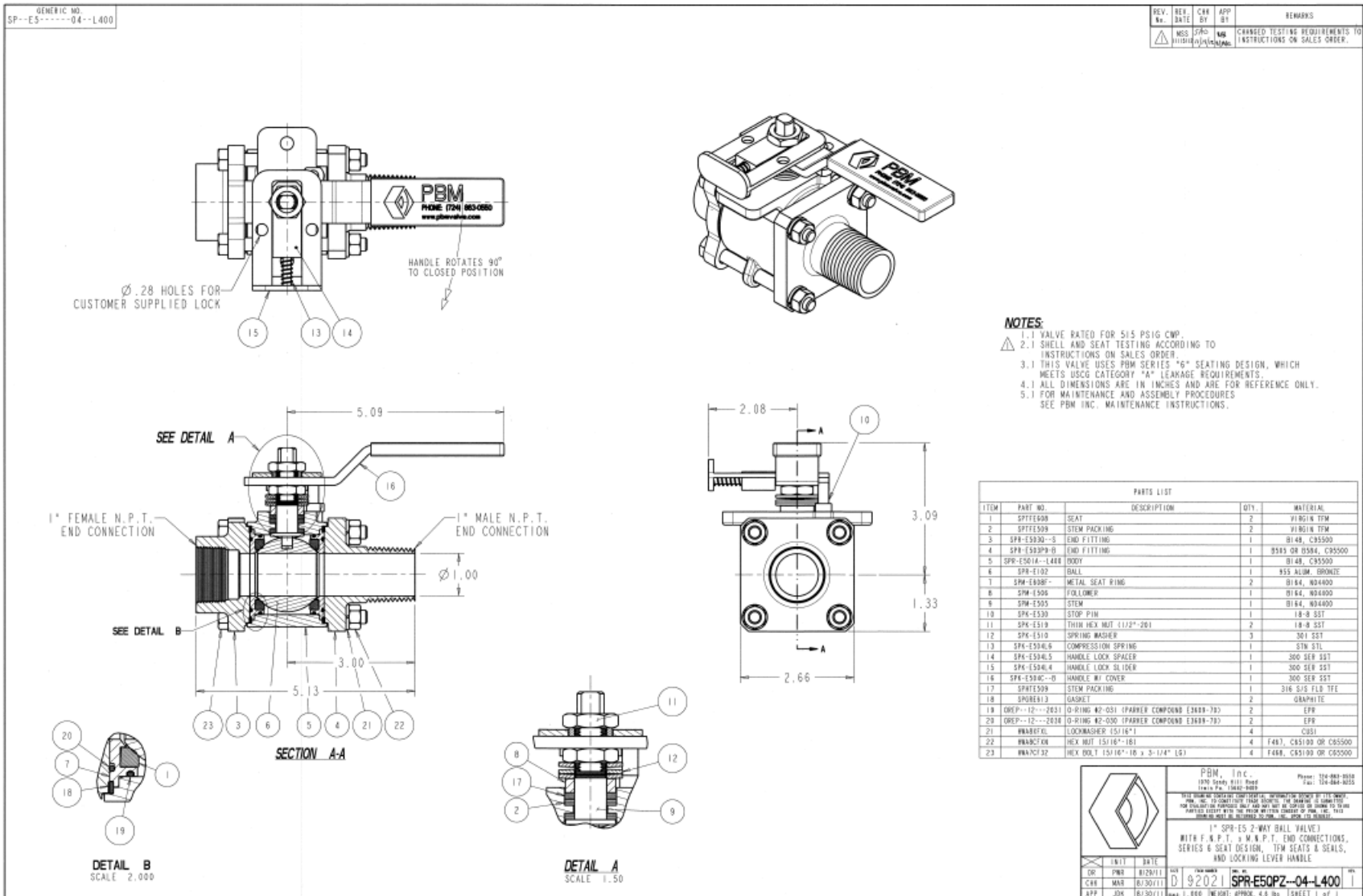


Industry: Offshore Platforms and FPSOs
Product: 2-Way Nickel Aluminum Bronze Valves
Media: Seawater, Fire Water Systems



Application Brief: Valve is provided as 1/2" through 2" sizes for use on Offshore Platforms and FPSOs for major Oil and Gas exploration companies . Valves are used on Firewater systems.