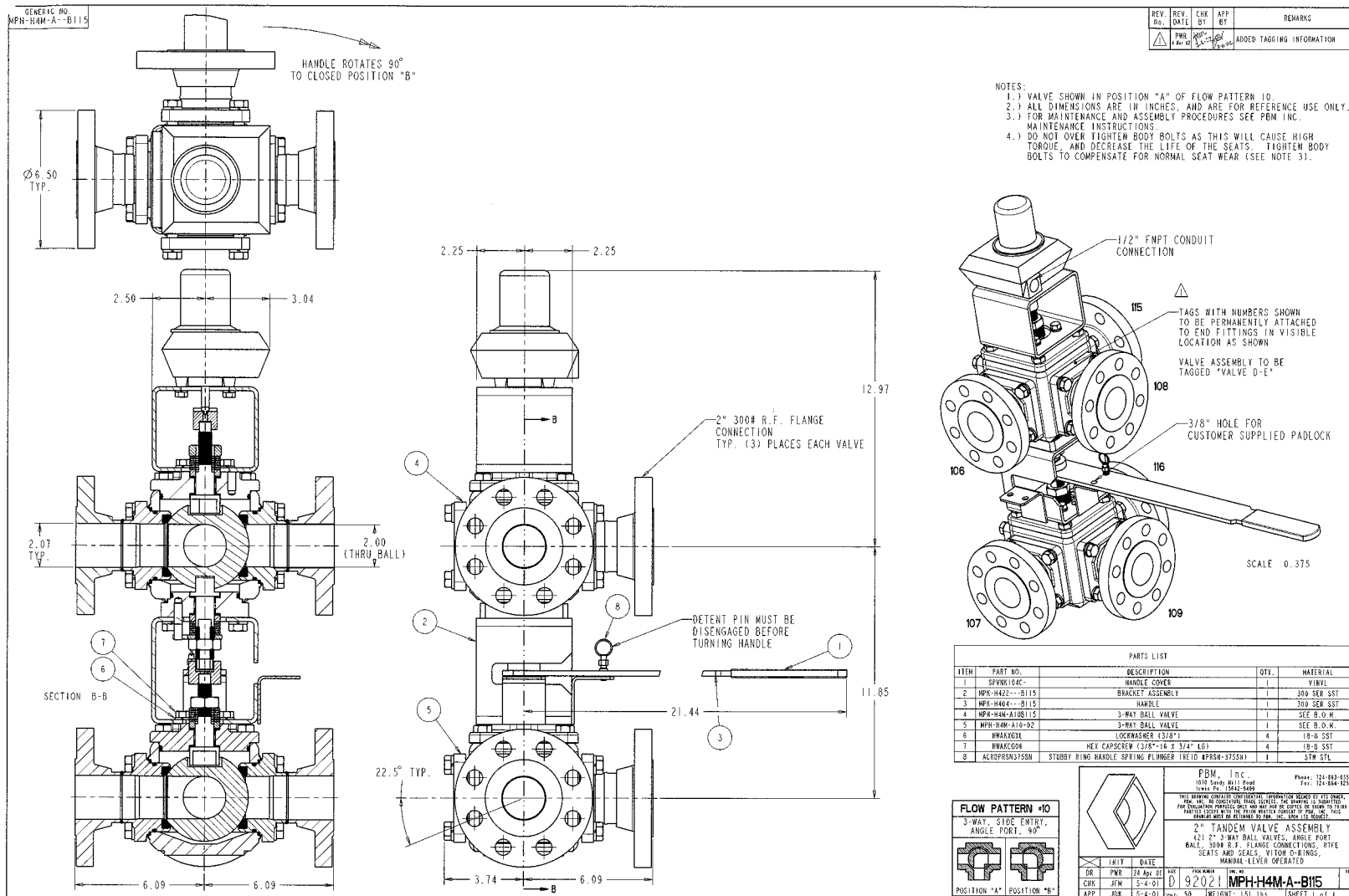


**Industry:** Power  
**Product:** Tandem mounted MP multi-port ball valves  
**Media:** Various



**Application Brief:** A Canadian hydro-electric provider implemented a program to upgrade valves used on various tandem filter housings by replacing high-torque, reduced bore, and high maintenance plug valves with PBM full-port multi-port soft seated ball valves. . The tandem valve assembly allows one filter to be isolated for maintenance while process media flows through the tandem filter, thus eliminating any process flow interruption.

APPL 0805-10