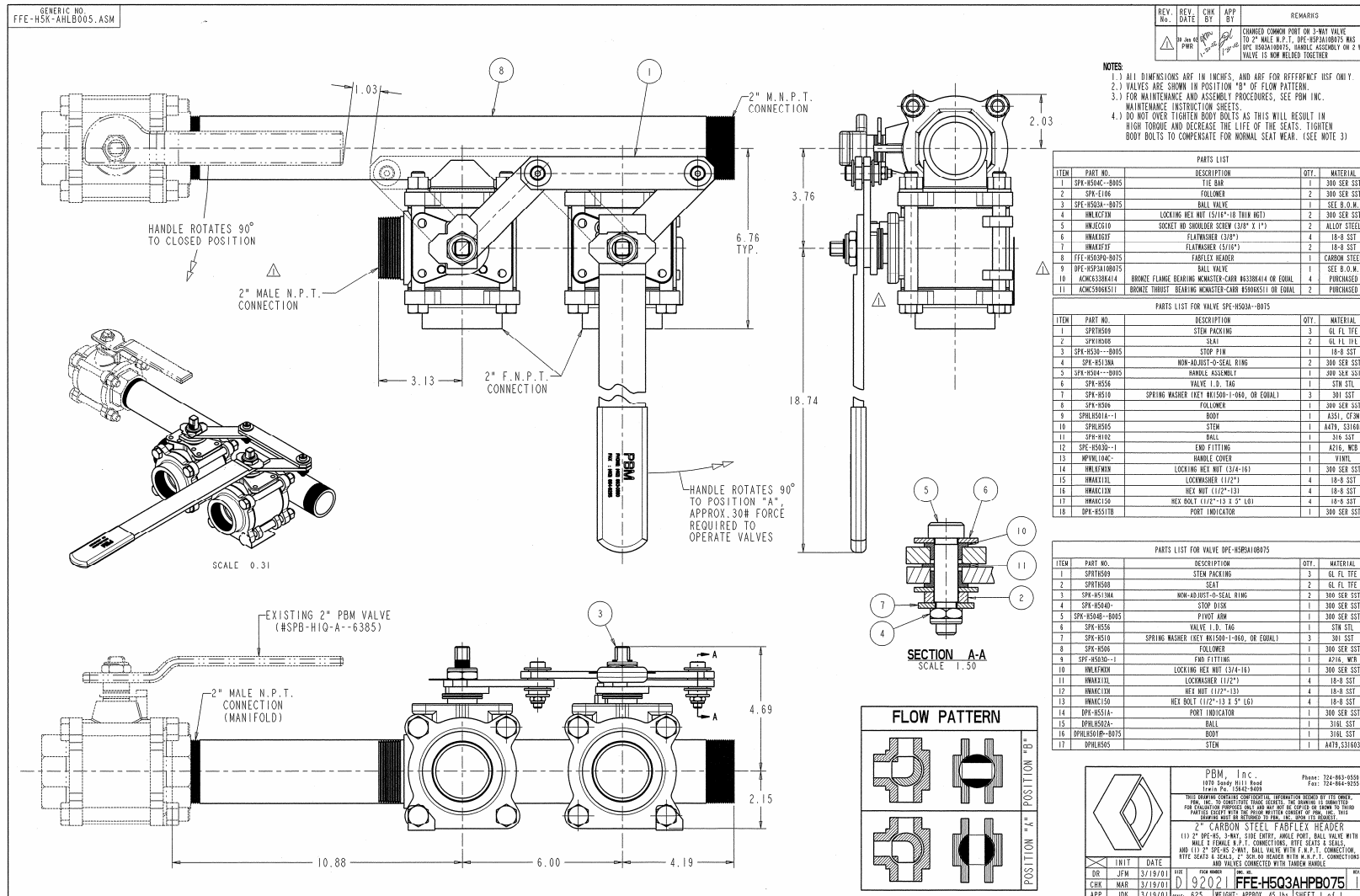


Industry: Steel Production

Product: Tandem mounted DP Diverter valve and SP 2-way valve

Media: Cooling water for blast furnace



Application Brief: A major steel producer required a fool-proof assembly that would permit diversion of cooling water to tuyeres in a blast furnace while providing simultaneous isolation of a process flow-stream by linking both the 3-way and 2-way valve handles.