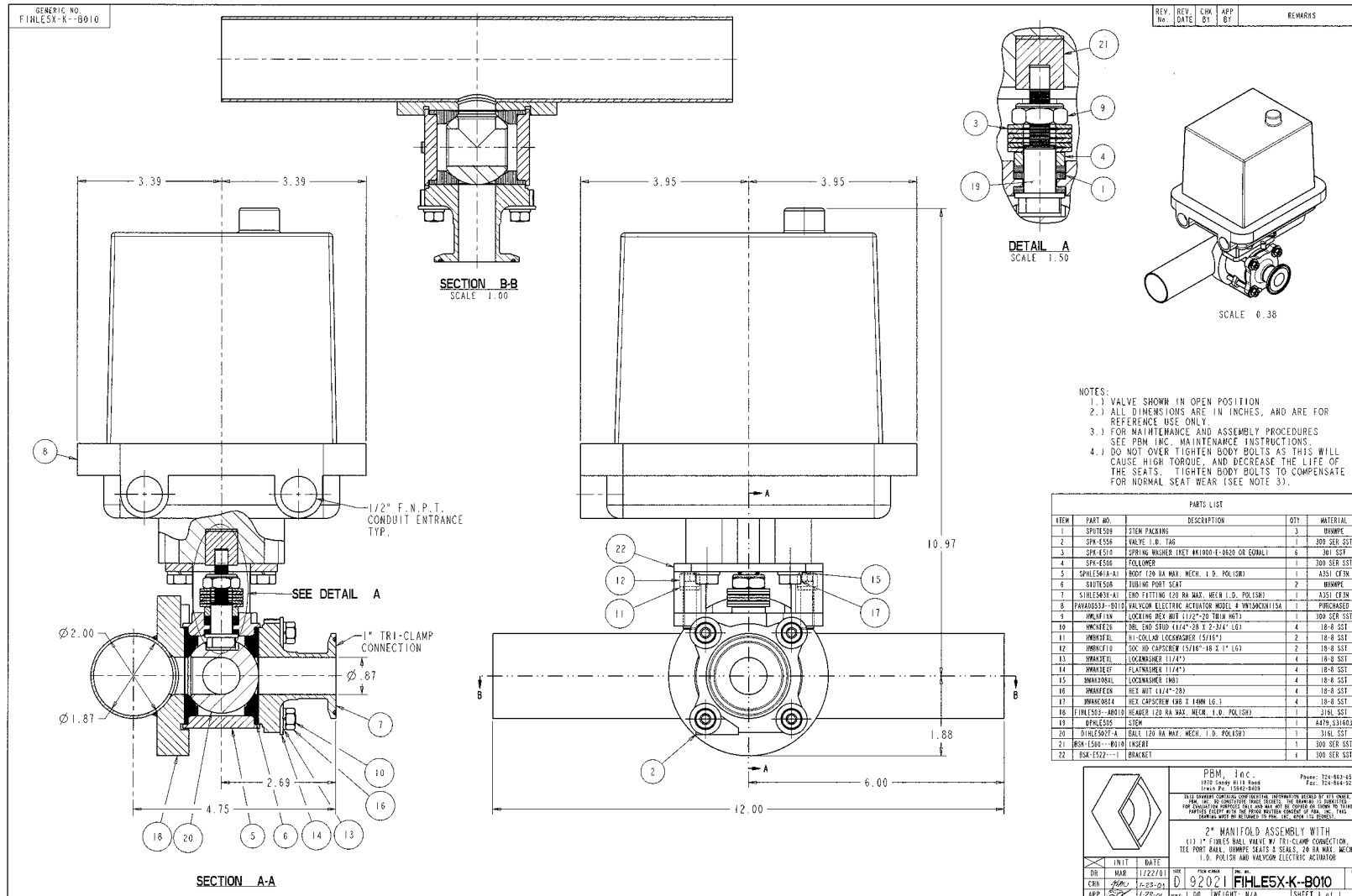


Industry: Pharmaceutical
Product: Flush tank ball valve, reduced pocket
Media: Deionized (DI) water



Application Brief: A west coast US Pharmaceutical company added an additional DI water loop to their facility. They were looking for clean and reliable automated valves that would deliver consistent DI water to each point of use in the loop. PBM designed a fabflex® assembly consisting of a sanitary Igenix™ flush tank ball valve with a reduced pocket weld pad and unique ball configuration. To ease installation, PBM welded the flush tank pad to a piece of sanitary tubing, which could be orbitally weld in-place at the installation site. After installation and operation, tests were performed to measure and monitor the quality of the DI water. The water quality in the loop containing PBM valves was equal to or better than the quality of water in loops using diaphragm and butterfly valves. Go PBM!

APPL 0805-15