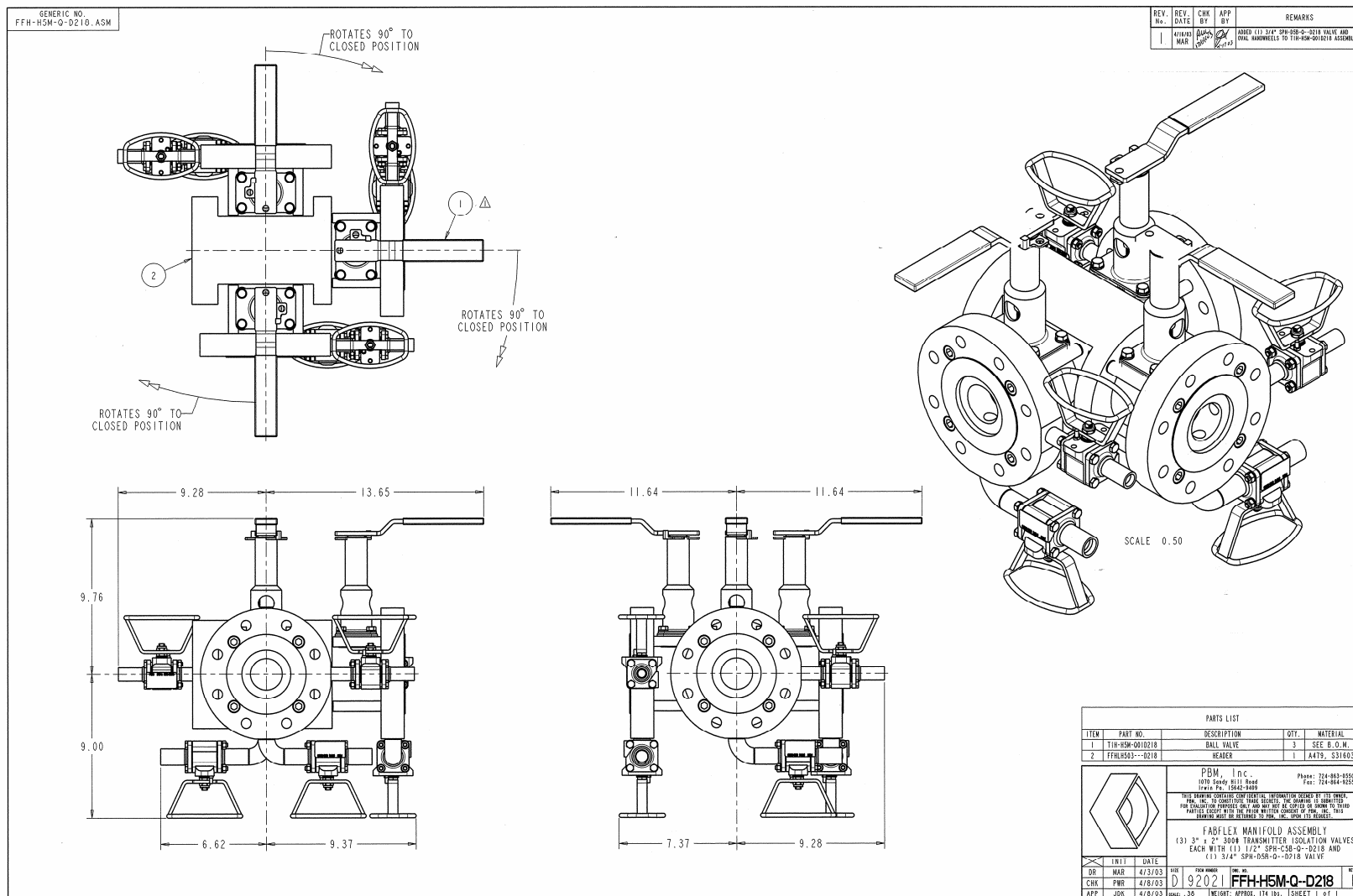


**Industry:** Petrochemical  
**Product:** Transmitter Isolation Valve  
**Media:** Petrochemicals



**Application Brief:** A major International petrochemical company was looking for a triple-redundant method of isolating transmitters used to provide vital feedback on petrochemicals stored in tanks. The valves required to insolate transmitters had to be fire rated and capable of providing a tight shutoff against corrosive and high-temperature petrochemicals. Each assembly contained 3 transmitter isolation valves, each with 2 fire-rated valve on the purge connections to facilitate cleaning the valve bodies and calibrating the transmitters.