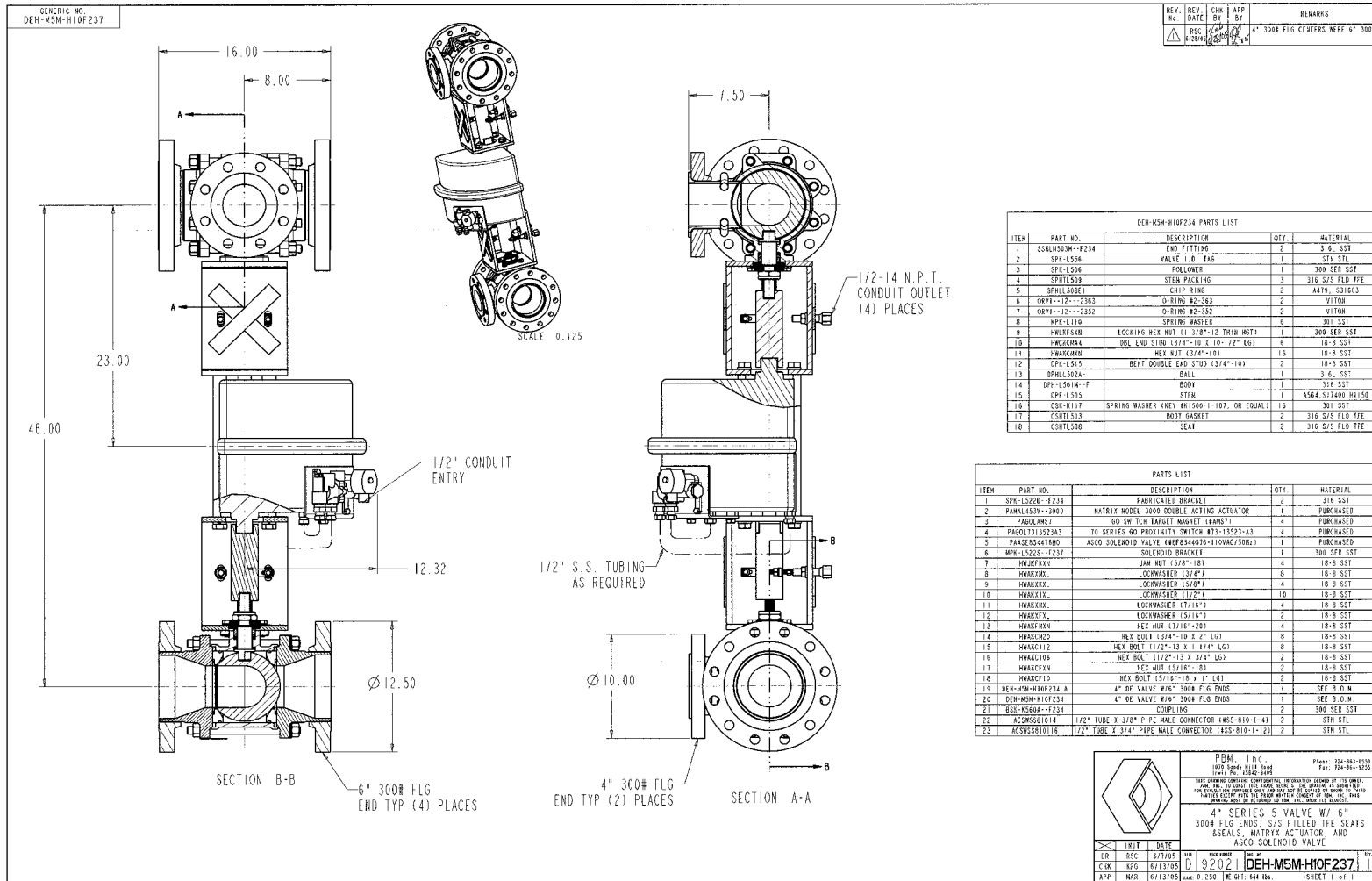


**Industry:** Power  
**Product:** Tandem mounted automated DP diverter port ball valves  
**Media:** Turbine oil



**Application Brief:** A mid-west US Power plant replaced high torque plug valves with tandem mounted automated PBM 3-way valves, 4 inch port size with 6 inch flanges. These tandem valves, which were mounted inside a cabinet, operate in unison driven by a single pneumatic actuator. This valve assembly, used on the turbine oil filter system, operates at 285 psi. As one valve "opens", the other valve "closes" to isolate one of two turbine oil filter housings for maintenance, allowing a second filter to continue in operation. Each valve provides "trans-flow" during filter change-over to prevent dead-heading. PBM was able to design this assembly to fit the customer's existing piping envelope, eliminating costly piping fabrication changes.

APPL 0805-1