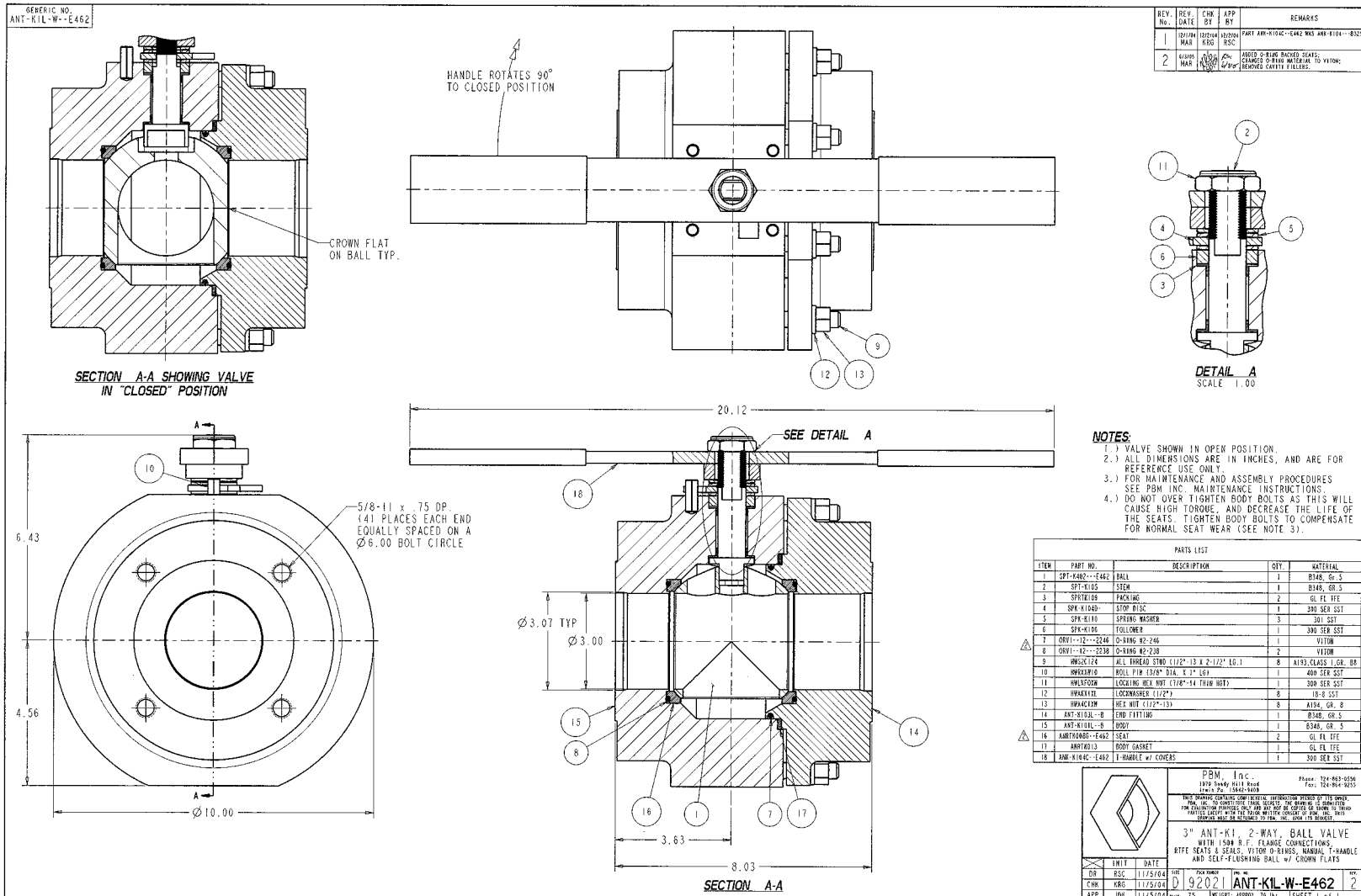


**Industry: Pulp and Paper**  
**Product: ANSI valve, Titanium material**  
**Media: Chlorine dioxide, sodium chlorate, methanol, sulfuric acid**



**Application Brief:** A major pulp and paper mill required two-way valves for a process that produces chlorine dioxide used for paper bleaching. A by-product of the process, sodium sesquisulfate, is an abrasive and acidic substance that plays havoc on valves. PBM's fabricated a valve made with Grade 5 titanium wetted parts to handle the corrosive by-products. The body was machined with minimal dead space where product might collect. A flushing ball was added to flush the ball of any residual and o-ring backed seats provided tight shut-off performance in this tough application.

APPL 0805-21