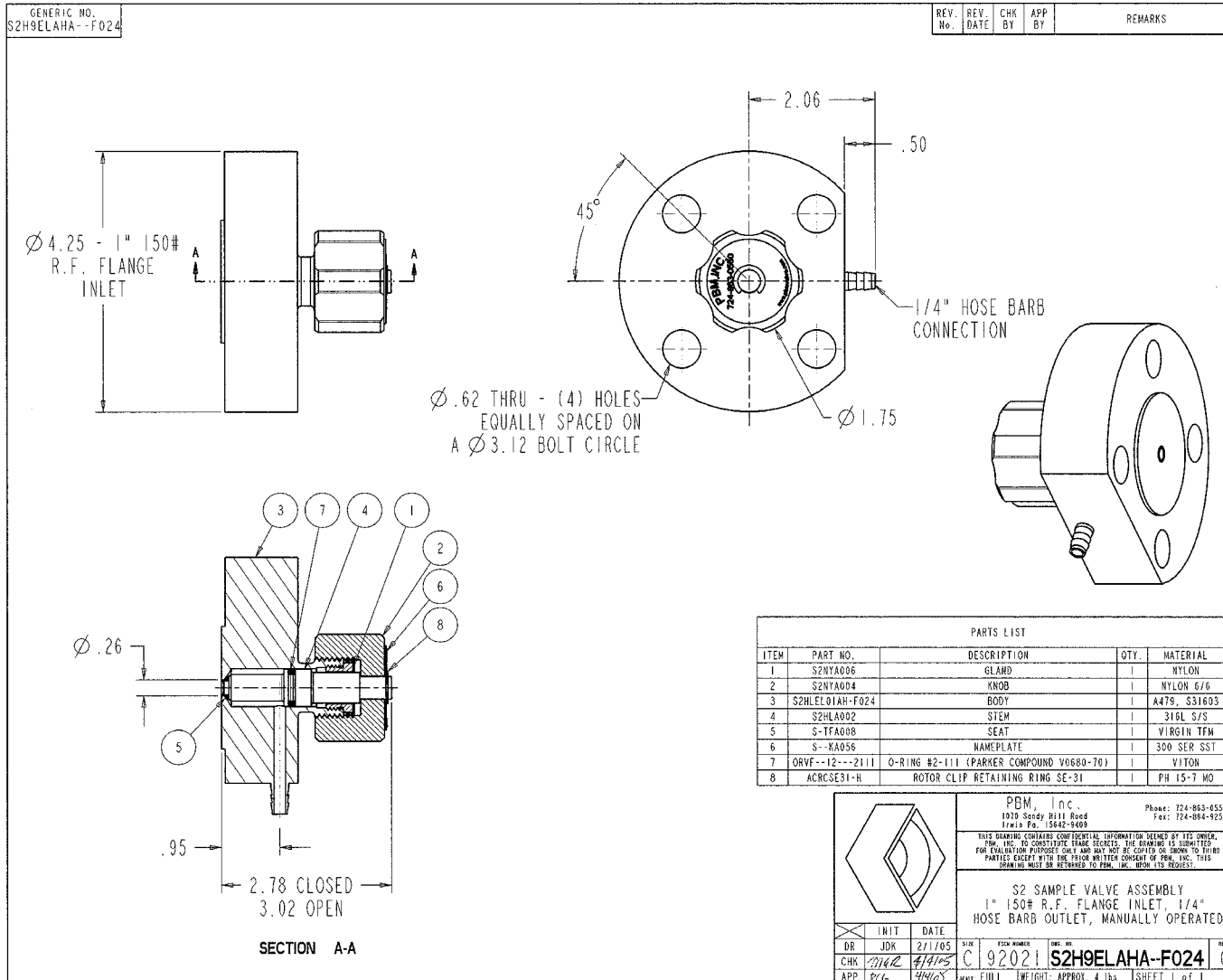


Industry: Consumer Products
Product: Rising stem sampling valve
Media: Water



Application Brief: A major consumer products manufacturer was looking to sample water from a filter housing. PBM integrated its Rising stem sampling valve design into a 1 inch flange fitting that attached to an existing flange connection on the filter housing. This design allowed the seal of the sampling valve to be flush with the inside-facing flange face.