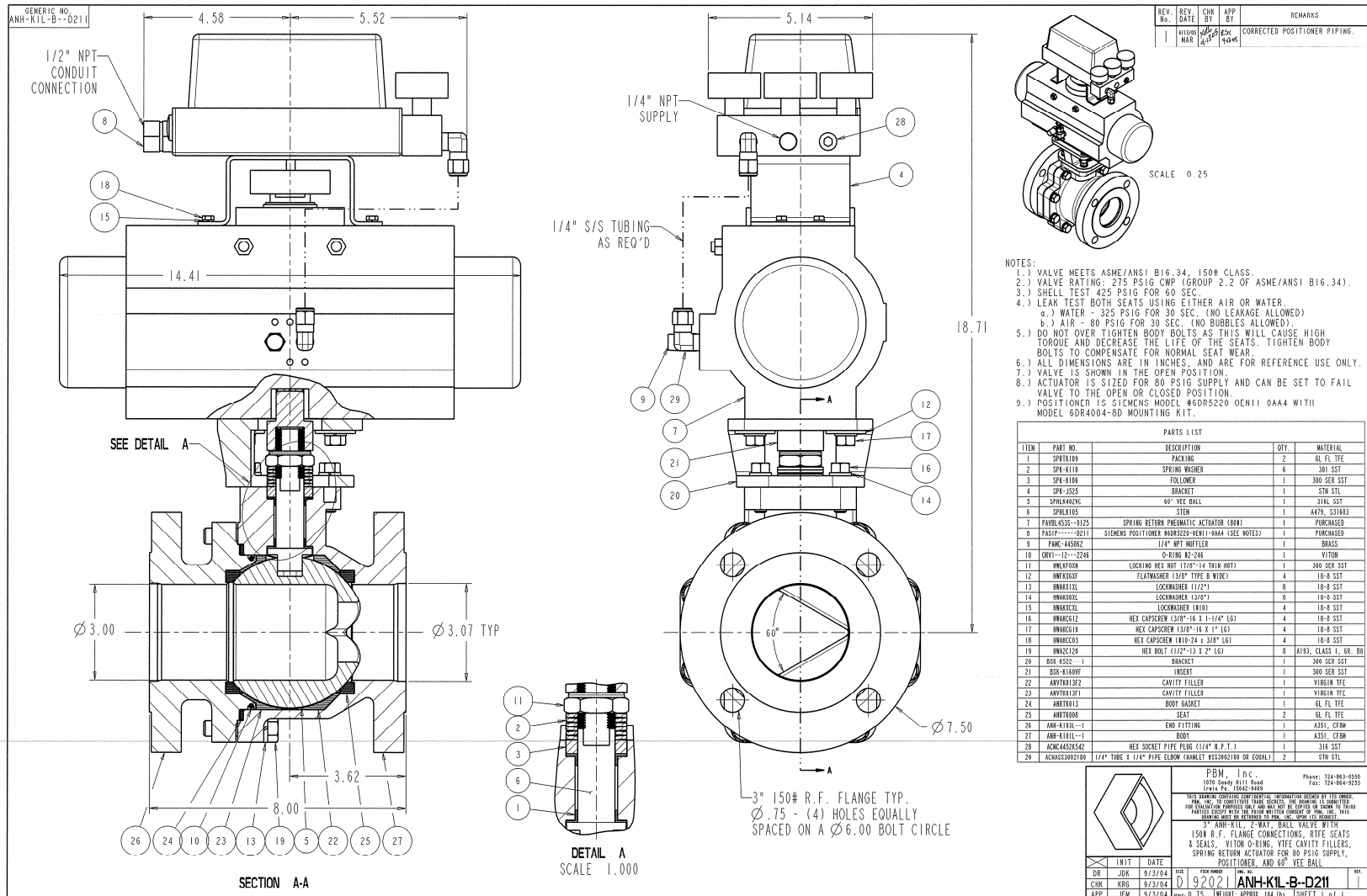


Industry: Steel production
Product: ANSI control valve with V-ball
Media: River water



Application Brief: A major steel rolling mill used a 3 inch automated PBM V-ball control valve to control the flow of water taken from a near-by river to a heat exchanger in order to control the temperature of bearing lube oil in a rolling mill. The lubricating oil needs to be maintained at a temperature of 130° F to prolong the life of costly bearings.