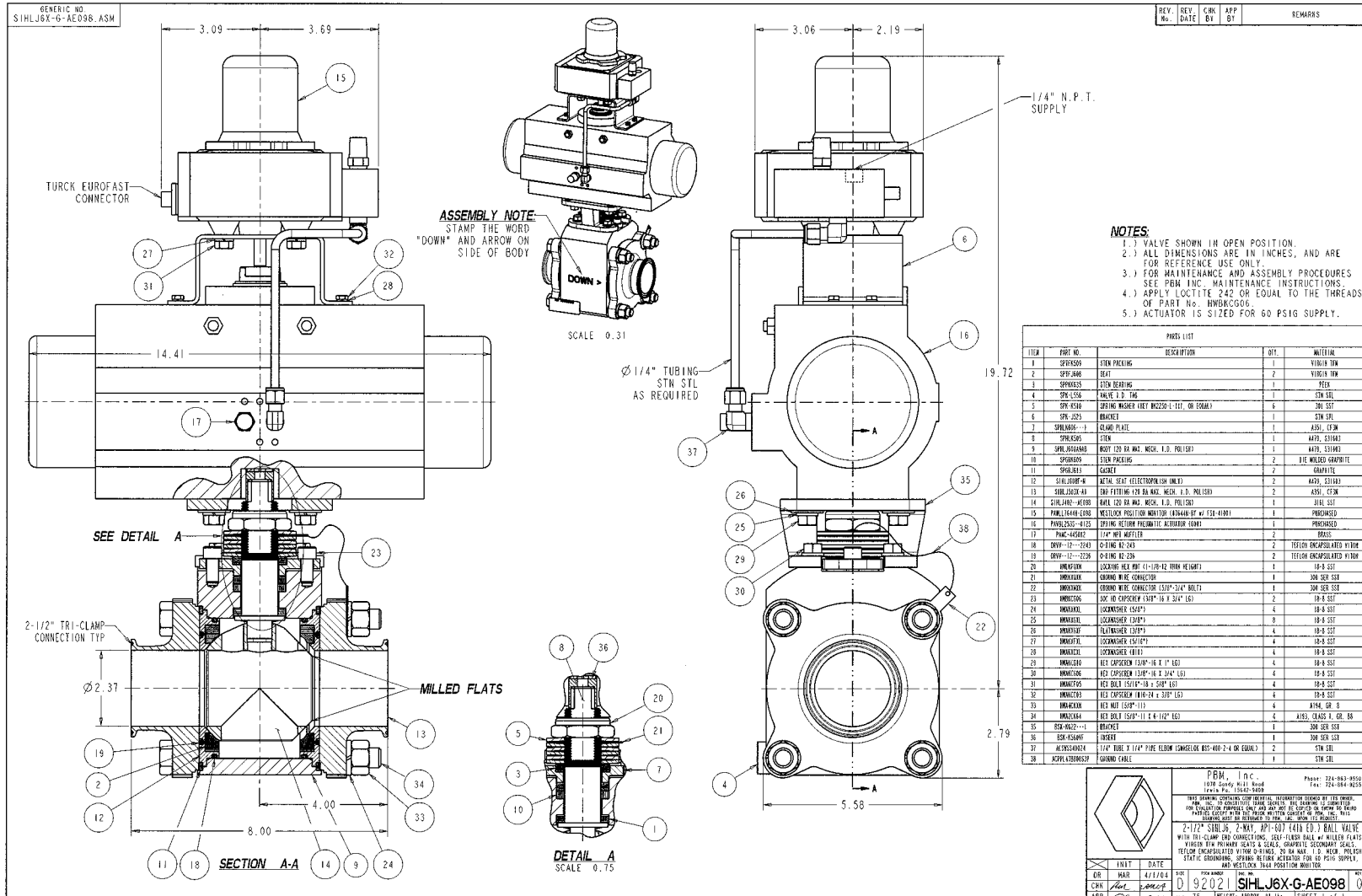


Industry: Consumer Products
Product: Sanitary Igenix™ fire-rated 2-way with self-flushing ball
Media: Hand Sanitizer



Application Brief: A major US manufacturer of hand cleaners required a sanitary fire-rated ball valve for use on a hand sanitizer process line. The hand sanitizer, made in a sanitary process system, is alcohol based, thus the requirement for both a sanitary and fire-rated valve. In addition, the manufacturer runs multiple products through the same process line and required the lines and valves to be cleaned between batches. PBM's self-flushing ball allows the valve internals to be thoroughly cleaned with line flushes between batches.

APPL 0805-25