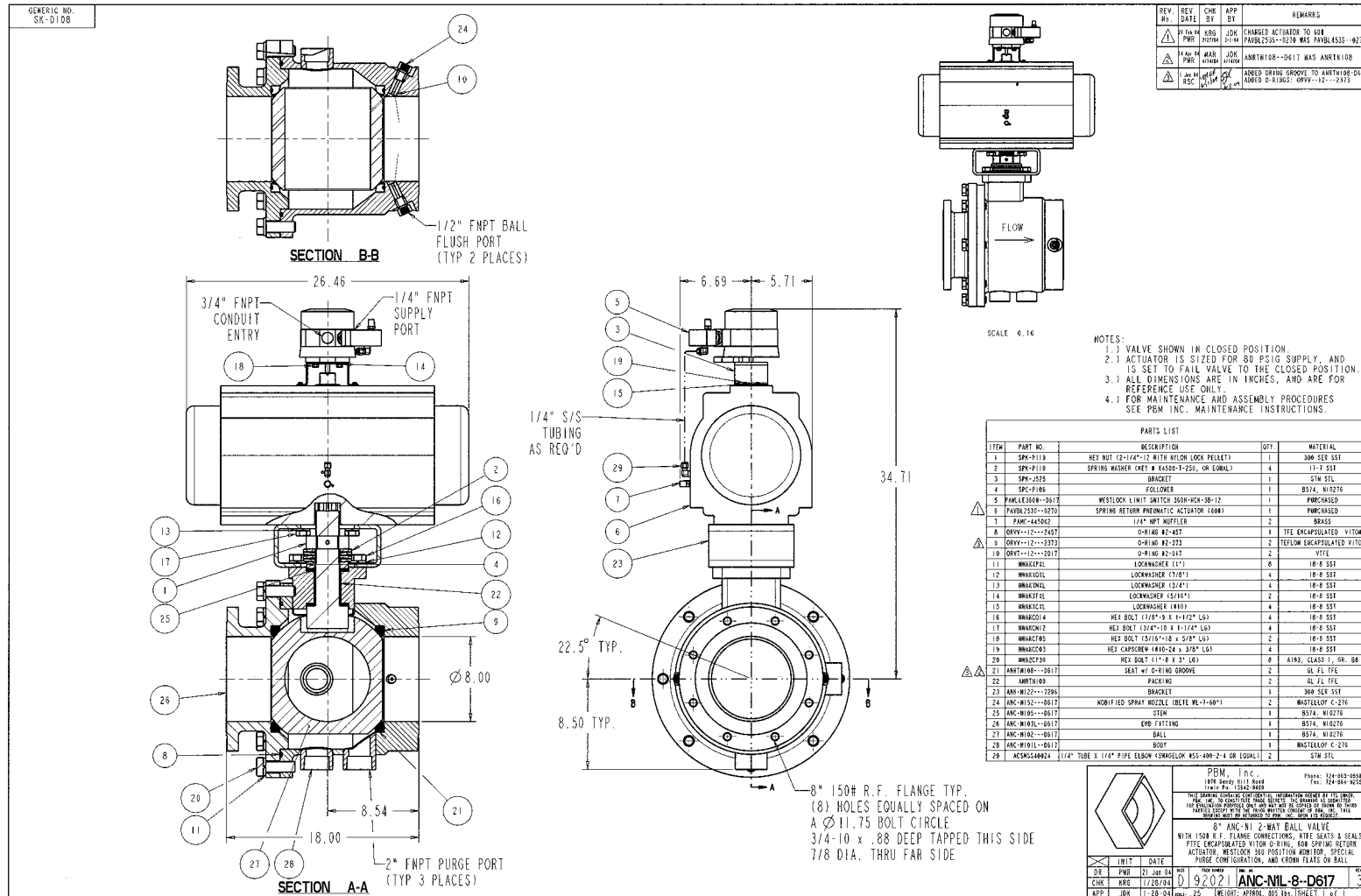


Industry: Chemical

Product: 8" ANSI Hastelloy C-276 Flanged ball valve with (5) purge ports and crown flat ball

Media: Corrosive chemicals and vapors



Application Brief: An east coast US Chemical manufacturer required a full port 8 inch ANSI valve as an inlet and isolation valve to a reactor. The process required the valve to hold vacuum and handle the corrosive vapor fumes that would accumulate during the reaction on the exposed surface of the ball when the valve was in the closed position. To address these challenges, PBM added a crown flat on the exposed surface of the ball that would prevent any accumulated vapor residue from scraping across the seats during valve rotation. Additionally, flush ports in the end fitting were added to facilitate flushing the exposed ball surface. PBM also added 3 purge ports (2 inch FNPT) in the body to further flush the valve between batches. All wetted material were Hastelloy C-276 to handle a variety of corrosive reactants.

APPL 0805-5