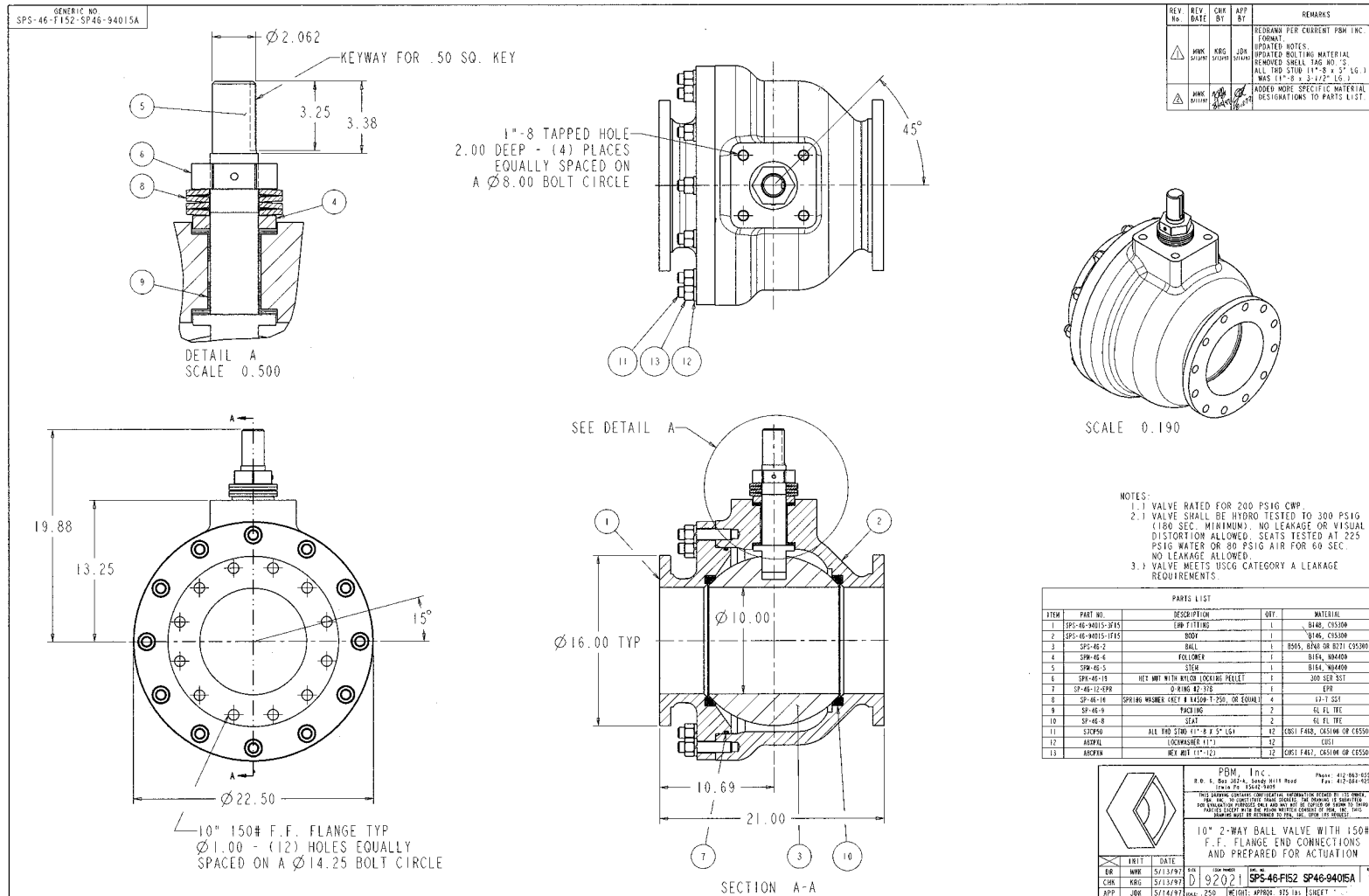


Industry: Marine & Offshore
Product: 10" ANSI Alloy 953 Aluminum Bronze full port flanged ball valve
Media: Sea water



Application Brief: A gulf coast US petroleum company required full port 10 inch ANSI valves to control the flow of seawater in and out of ballast tanks used to stabilize offshore tension leg drilling and production platforms. Due the corrosive seawater environment, the valves wetted internals were constructed of aluminum bronze alloy 953. External hardware was constructed of silicone-copper. These valves met the American Bureau of Shipbuilding (ABS) Category A shutoff requirements.

APPL 0805-7