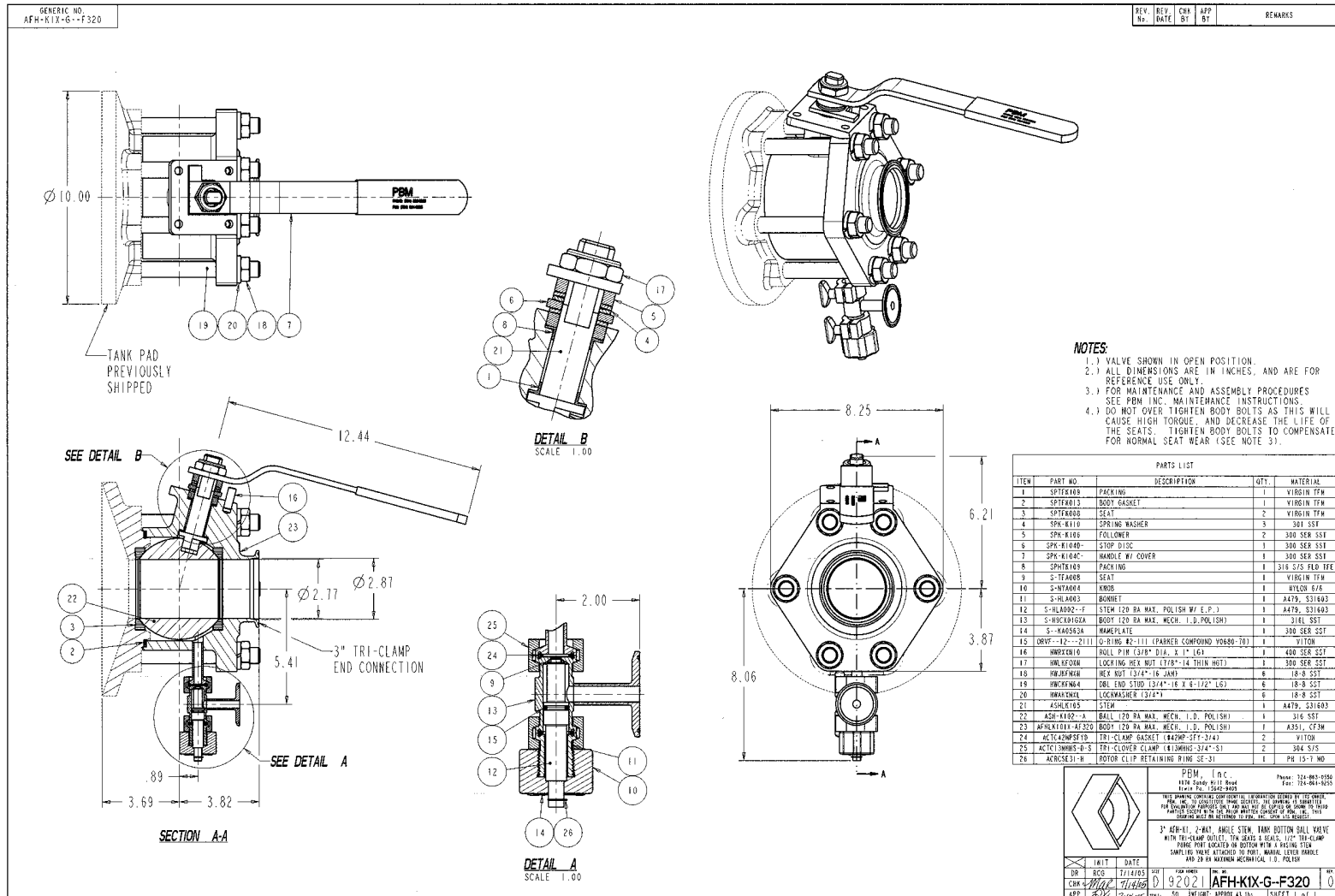


Industry: Chemical

Products: Angle stem flush tank ball valve with purge port and rising stem sampling valve

Media: Various chemicals used in petroleum research



Application Brief: A Canadian chemical and petroleum research firm acquired an old tank that had an existing PBM flush tank weld pad installed. The customer needed to refurbish the tank and install a new flush bottom valve that would adapt to the existing weld pad, as well as provide a means of sampling the various products that would drain through the valve. PBM's angle stem flush tank ball valve adapted easily to the existing PBM weld pad. PBM added a purge port that accepted a PBM sanitary rising stem sample valve to provide means of sampling product.

APPL 0805-8