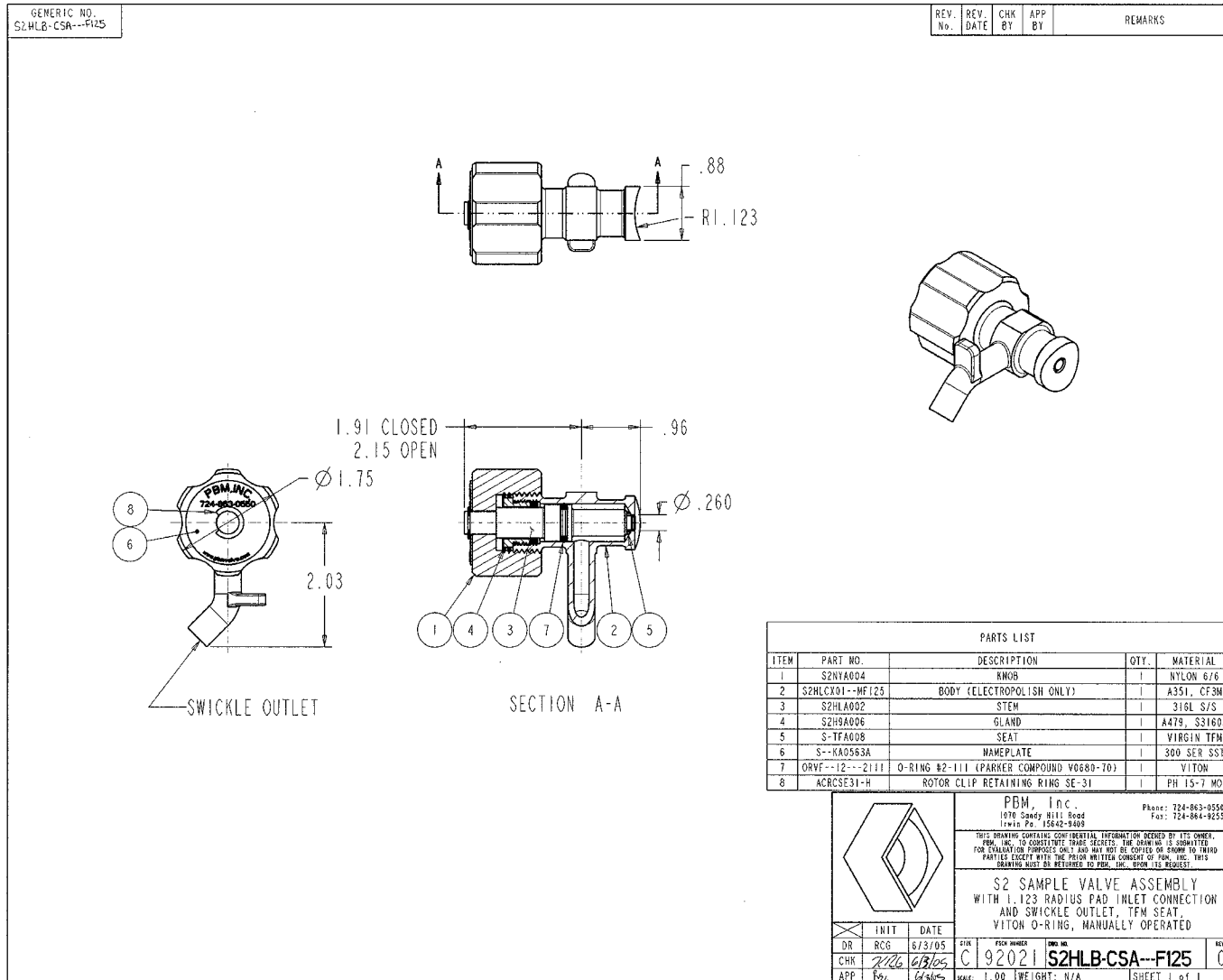


Industry: Food & Beverage
Product: Rising stem sampling valve
Media: Beer



Application Brief: A major western US brewery was looking for an innovative means of sampling product in various phases of the brewery process. The customer was looking for slight modifications of PBM's standard brewery sampling valve. PBM was able to meet their needs by adding a cylindrical radius weld inlet connection that gave the brewer the flexibility of welding the sampling valve at various points along the process lines.

APPL 0805-9