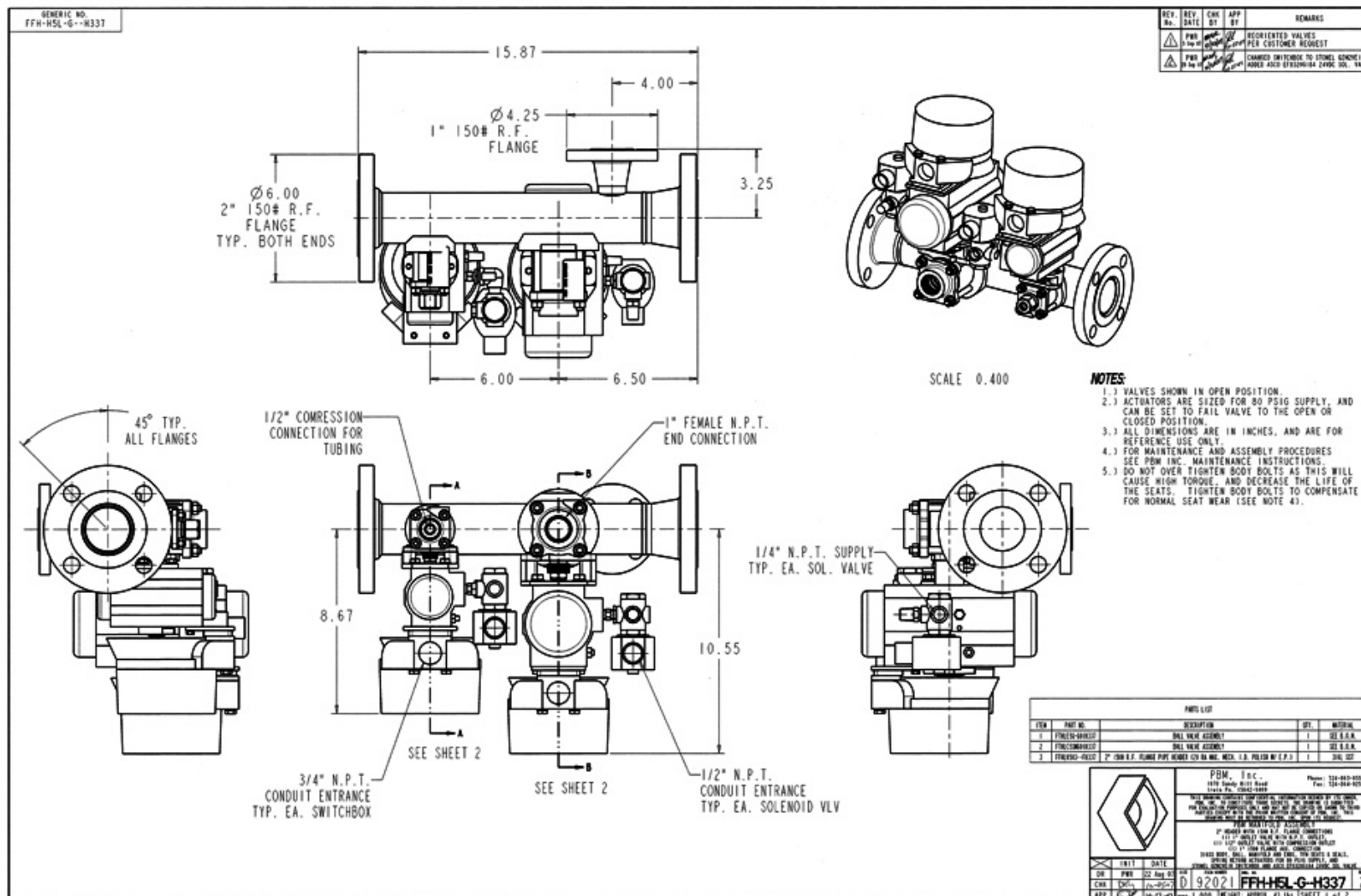


Industry: Semiconductor  
Product: Injection Manifold  
Media: Used in the polishing of waters



**Application Brief:** The spool piece is in a process line which is a mixture of dimethylformamide (DMF), polyurethane, and an isocyanate. The two injection valves (1" and 1/2") are designed to add the isocyanate into the DMF/polyurethane mixture; ~ 70% DMF. This was a solution sell. The spool piece was part of a package that contain a PLC and Mass flow meter.